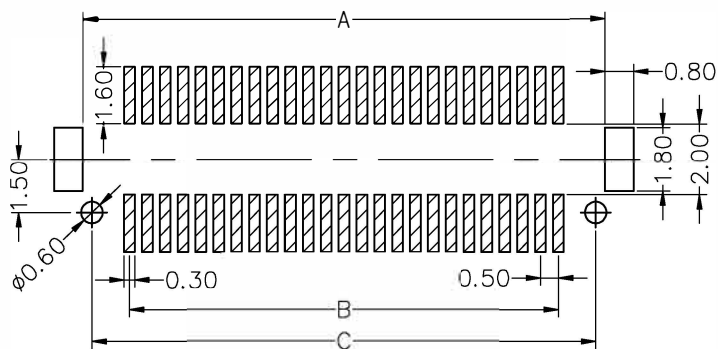
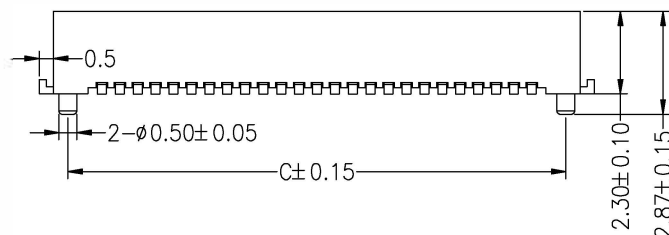
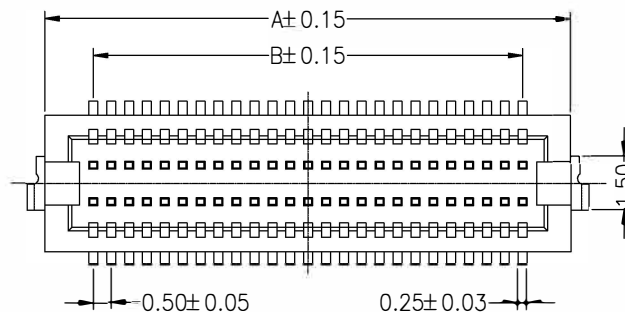


HSF RoHS

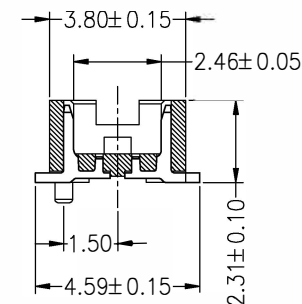
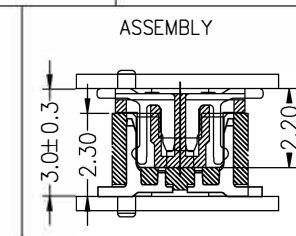
SPECIFICATIONS

PERFORMANCE

Current rating: 0.3A
 Voltage rating: 50V AC
 Insulation Resistance: 500MΩ min
 Withstanding voltage: 150V AC/1 min
 Contact Resistance: 50mΩ max
 Operating Temperature: -55°C to +125°C
 Material
 Contact: Phosphor Bronze
 Contact: Au Over Ni
 Solder Tabs: Brass
 Solder Tabs: Tin Over Ni
 Housing: High temperature material, UL94V-0
 Soldering temperature: 260°C±5° 5S



Recommended P.C.B Layout(Top Side)
 (PCB BOARD TOLERANCE±0.05)



Ordering Information

3720 F XXX 023 XX X R 0X

F=Female M=Male
 No. of pins
 Plastic Height 023=2.3mm
 Contact Plating
 G0:Gold Flash
 C1:3U" Gold
 C2:5U" Gold
 G3:10U" Gold
 G4:15U" Gold
 G5:30U" Gold
 S0:Gold Flash/Tin
 Insulator Material
 Option
 D=PA46
 F=LCP
 Packing
 R=Reel

NO.OF Contacts	Dimensions		
	A	B	C
20pin	7.20	4.50	6.60
30pin	9.70	7.00	9.10
34pin	10.70	8.00	10.10
36pin	11.20	8.50	10.60
40pin	12.20	9.50	11.60
42pin	12.70	10.00	12.10
50pin	14.70	12.00	14.10
60pin	17.20	14.50	16.60
80pin	22.20	19.50	21.60

OPERATION		DRAW	LIU MIAO	18.03.28	SCALE	FIT
X.X	±0.30					
X.XX	±0.20	CHECK				
X.XXX	±0.10					
Angle	±3°	APPROVE				
DIM	TOL					

WFD 深圳市旺富达电子有限公司
 WFD CONN SHEN ZHEN WFD ELECTRONICS CO., LTD

A0	2018.03.28	NEW DRAWING	CHANGE
REV	DATE	MODIFICATION DESCRIPTION	CHANGE
1	2	3	4

PART NO.	3720FXXX023XXXR0X
TITLE:	0.5BTB NPin H2.3 Female 带柱带定位片