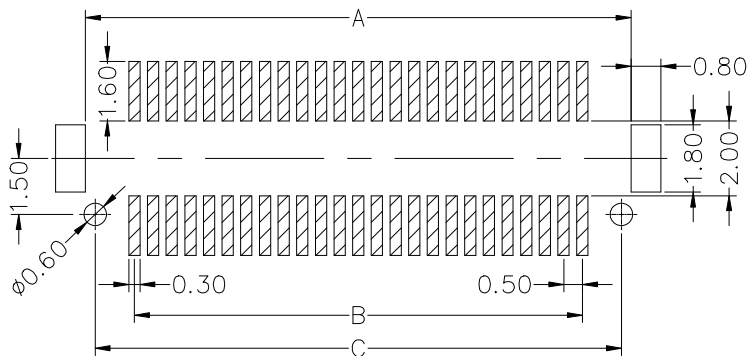
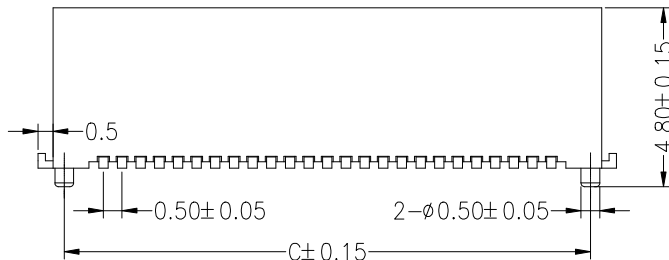
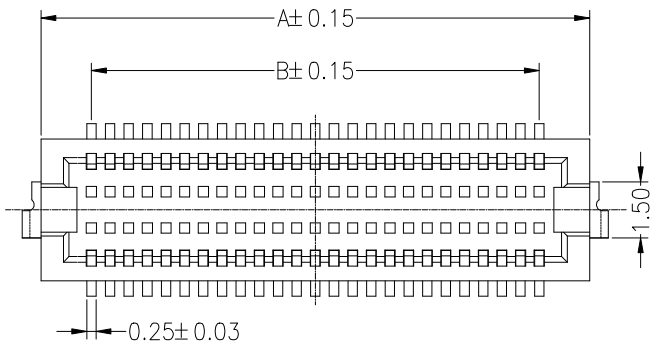


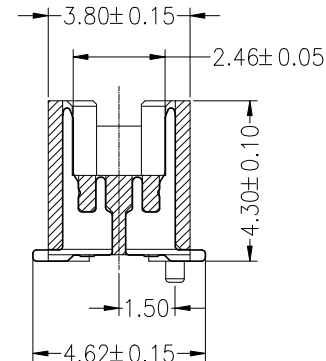
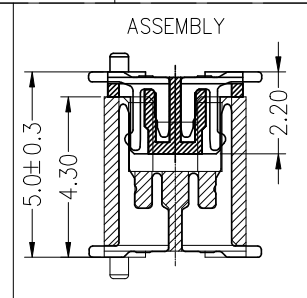
HSF RoHS

**SPECIFICATIONS
PERFORMANCE**

Current rating: 0.3A
 Voltage rating: 50V AC
 Insulation Resistance: 500MΩ min
 Withstanding voltage: 150V AC/1 min
 Contact Resistance: 50mΩ max
 Operating Temperature: -55°C to +125°C
 Material
 Contact: Phosphor Bronze
 Contact: Au Over Ni
 Solder Tabs: Brass
 Solder Tabs: Tin Over Ni
 Housing: High temperature material, UL94V-0
 Soldering temperature: 260°C±5° 5S



Recommended P.C.B Layout (Top Side)
(PCB BOARD TOLERANCE±0.05)



NO.OF Contacts	Dimensions		
	A	B	C
20pin	7.20	4.50	6.60
30pin	9.70	7.00	9.10
34pin	10.70	8.00	10.10
36pin	11.20	8.50	10.60
40pin	12.20	9.50	11.60
42pin	12.70	10.00	12.10
50pin	14.70	12.00	14.10
60pin	17.20	14.50	16.60
80pin	22.20	19.50	21.60

Ordering Information

3720 F XXX 043 XX X R 0X

F=Female M=Male No.of pins Plastic Height 043=4.3mm Contact Plating G0:Gold Flash G1:30U" Gold G2:50U" Gold G3:100U" Gold G4:150U" Gold G5:300U" Gold S0:Gold Flash/Tin Insulator Material Option D=PA46 F=LCP Packing R=Reel

OPERATION		DRAW	LIU MIAO	18.03.28	SCALE	FIT
X.X	±0.30					
X.XX	±0.20	CHECK				
X.XXX	±0.10					
Angle	±3°	APPROVE				
DIM	TOL					

WFD 深圳市旺富达电子有限公司
CONN SHEN ZHEN WFD ELECTRONICS CO., LTD

REV	DATE	MODIFICATION DESCRIPTION	CHANGE
A0	2018.03.28	NEW DRAWING	

PART NO. 3720FXXX043XXXR0X
 TITLE: 0.5BTB NPIN H4.3 Female 帶柱帶定位片