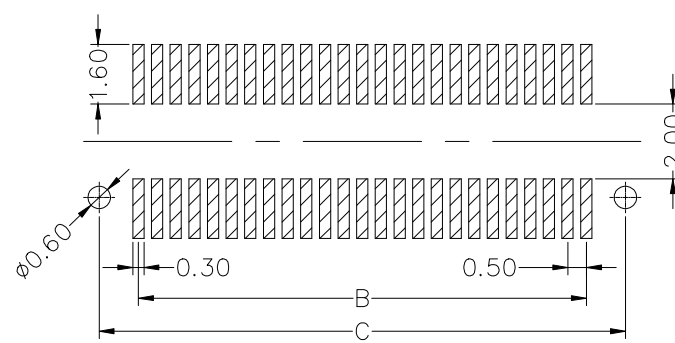
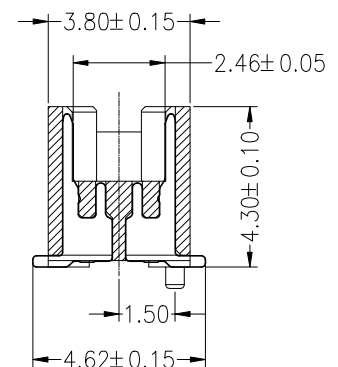
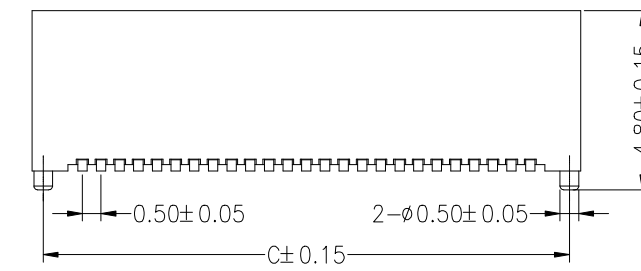
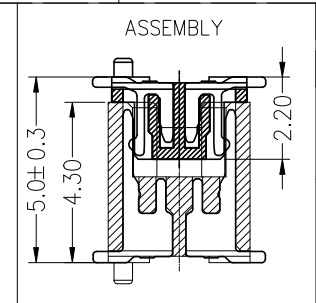
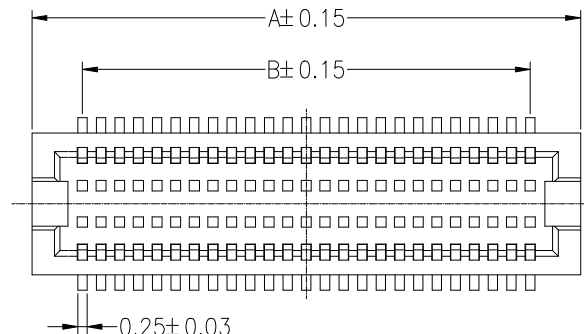


**HSF RoHS**

**SPECIFICATIONS**  
**PERFORMANCE**

Current rating: 0.3A  
 Voltage rating: 50V AC  
 Insulation Resistance: 500MΩ min  
 Withstanding voltage: 150V AC/1 min  
 Contact Resistance: 50mΩ max  
 Operating Temperature: -55°C to +125°C  
 Material  
 Contact: Phosphor Bronze  
 Contact: Au Over Ni  
 Housing: High temperature material, UL94V-0  
 Soldering temperature: 260°C±5° 5S



Recommended P.C.B Layout(Top Side)  
(PCB BOARD TOLERANCE±0.05)

NO.OF Contacts	Dimensions		
	A	B	C
20pin	7.20	4.50	6.60
30pin	9.70	7.00	9.10
34pin	10.70	8.00	10.10
36pin	11.20	8.50	10.60
40pin	12.20	9.50	11.60
42pin	12.70	10.00	12.10
50pin	14.70	12.00	14.10
60pin	17.20	14.50	16.60
80pin	22.20	19.50	21.60

**Ordering Information**

**3720 F XXX 043 XX X R 0X**

F=Female M=Male  
 No.of pins  
 Plastic Hight 043=4.3mm  
 Contact Plating  
 G0:Gold Flash  
 G1:3U" Gold  
 G2:5U" Gold  
 G3:10U" Gold  
 G4:15U" Gold  
 G5:30U" Gold  
 S0:Gold Flash/Tin  
 Insulator Material Option  
 D=PA46  
 F=LCP  
 Packing  
 R=Reel

				OPERATION		DRAW	LIU MIAO	18.03.28	SCALE	FIT	<b>WFD<sub>CONN</sub></b> 深圳市旺富达电子有限公司 SHEN ZHEN WFD ELECTRONICS CO., LTD	
				X.X	±0.30							
A0	2018.03.28	NEW DRAWING		X.XXX	±0.10	APPROVE			SHEET	1/1	PART NO.	3720FXXX043XXXR0X
REV	DATE	MODIFICATION DESCRIPTION		ANGLE	±3°						PROJ.	TITLE:
1	2	3	4	5	6	7	8	9				