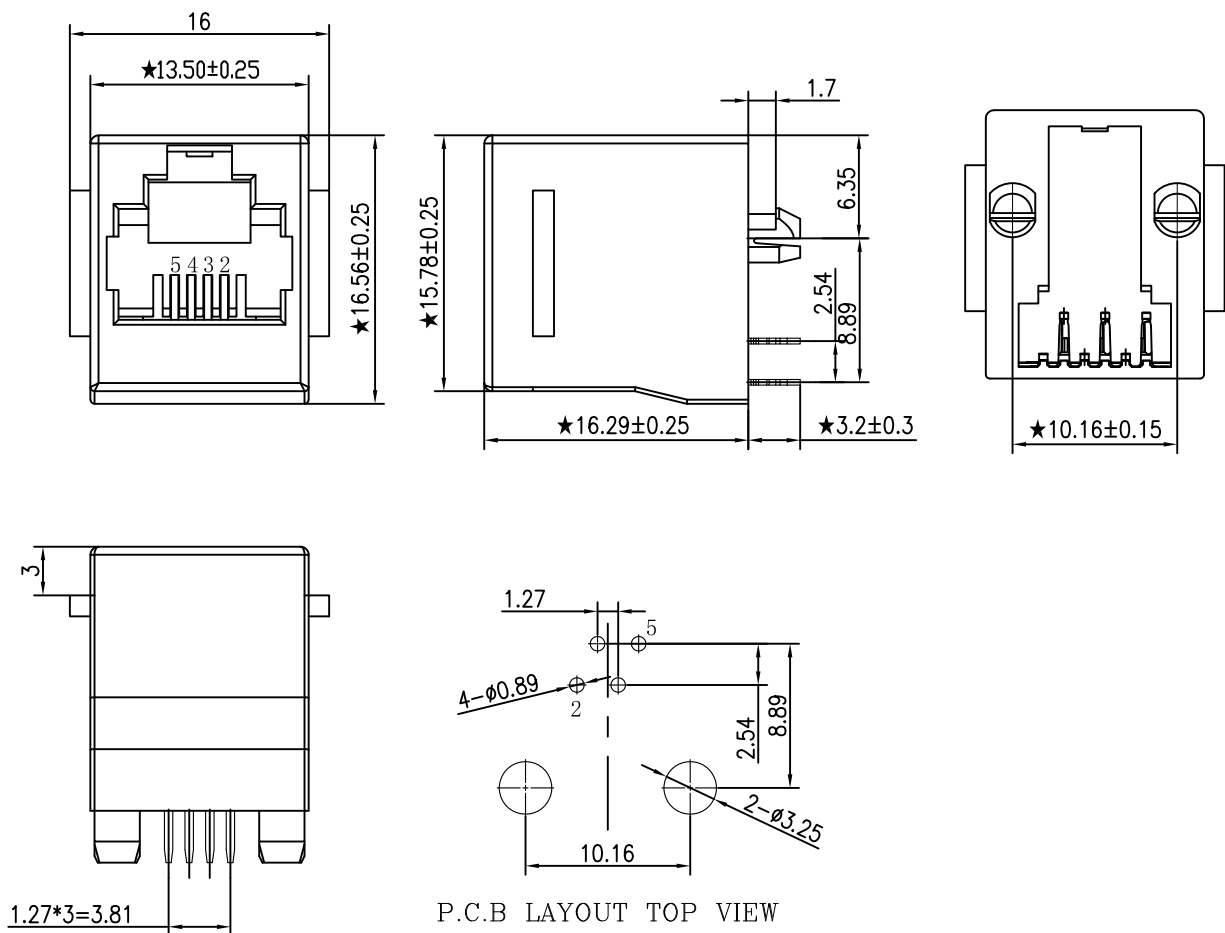


RoHS  
Compliant



- NOTES
- MECHANICAL:
1. HOUSING MATERIAL: PBT BLACK UL94V-0
  2. INSERT MATERIAL: PBT BLACK UL94V-0
  3. CONTACT MATERIAL: PHOSPHOR BRONZE T=0.35mm.
  4. PLATING: GOLD PLATING AT CONTACT AREA, MATTE TIN AT TAIL 100u" MIN, NICKEL 30u" MIN. OVER ALL
  5. OPERATING LIFE: 750 CYCLES MIN.
  6. MATING/UNMATING FORCE: 30N/3.06KGf MAX
  7. RETENTION STRENGTH: 50N MIN. FOR 60S±5S
- ELECTRICAL:
1. VOLTAGE RATING: 125 VAC RMS.
  2. CURRENT RATING: 1.5 AMP.
  3. CONTACT RESISTANCE : 30mΩ MAX.
  4. INSULATION RESISTANCE: 1000Ω MIN. AT 500V DC .
  5. DIELECTRIC STRENGTH: 1000V AC OR 1500V DC RMS AT 0.5mA 50Hz/60Hz FOR 1MINUTE.
- ENVIRONMENTAL:
1. STORAGE: -40°C TO +85°C RELATIVE HUMIDITY<80%.
  2. GUARANTEE PERIOD: 12 MONTHS
  3. OPERATION: -40°C TO +85°C.
  4. The mark with ★ is the key inspection dimension for QC

NO.	PACKING	PART NO.	Gold Plating
1	TRAY		1u"
2			1.5u"
3			3u"
4		WFD52D411SB004201111059	6u"
5		WFD52D411SB005201111059	15u"
6		WFD52D411SB006201111059	30u"
7		WFD52D411SB007201111059	50u"

					TOLERANCES				TITLE					
					.X	±0.30	<b>WFD</b> 深圳市旺富达电子有限公司 SHEN ZHEN WFD ELECTRONICS CO., LTD				RJ11 JACK 1X1 6P4C 全塑 带边 黑色PBT			
					.XX	±0.25					PART NO.			
					.XXX	±0.10					SEE TABLE			
					PROJECT		APPROVAL	CHECK	DRAWN	DATA	UNIT	SCALE	CHECKED	REV
DATE	REV	DESCRIPTION	CHECK	APPROVAL				Liu Miao	2021/07/06	MM	1:1		A4	