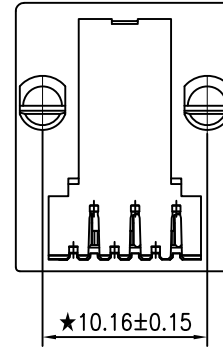
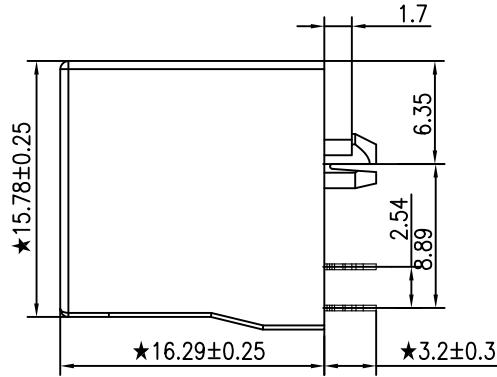
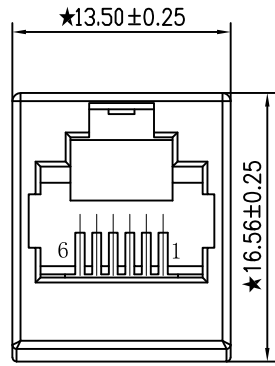


RoHS
Compliant



NOTES

MECHANICAL:

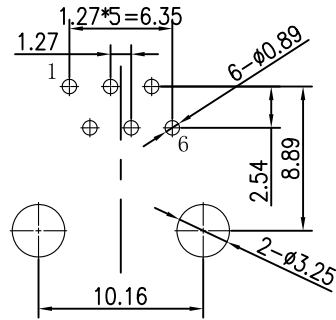
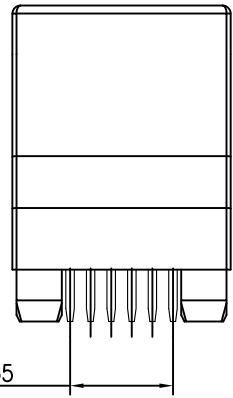
1. HOUSING MATERIAL: PBT BLACK UL94V-0
2. INSERT MATERIAL: PBT BLACK UL94V-0
3. CONTACT MATERIAL: PHOSPHOR BRONZE T=0.35mm.
4. PLATING: GOLD PLATING AT CONTACT AREA, MATTE TIN AT TAIL 100u" MIN, NICKEL 30u" MIN. OVER ALL
5. OPERATING LIFE: 750 CYCLES MIN.
6. MATING/UNMATING FORCE: 30N/3.06KGf MAX
7. RETENTION STRENGTH: 50N MIN. FOR 60S±5S

ELECTRICAL:

1. VOLTAGE RATING: 125 VAC RMS.
2. CURRENT RATING: 1.5 AMP.
3. CONTACT RESISTANCE : 30mΩ MAX.
4. INSULATION RESISTANCE: 1000Ω MIN. AT 500V DC .
5. DIELECTRIC STRENGTH: 1000V AC OR 1500V DC RMS AT 0.5mA 50Hz/60Hz FOR 1MINUTE.

ENVIRONMENTAL:

1. STORAGE: -40°C TO +85°C RELATIVE HUMIDITY<80%.
2. GUARANTEE PERIOD: 12 MONTHS
3. OPERATION: -40°C TO +85°C.
4. The mark with ★ is the key inspection dimension for QC



P.C.B LAYOUT TOP VIEW

| NO. | PACKING | PART NO. | Gold Plating |
|-----|---------|-------------------------|--------------|
| 1 | TRAY | | 1u" |
| 2 | | | 1.5u" |
| 3 | | | 3u" |
| 4 | | WFD52D511SX004201111059 | 6u" |
| 5 | | WFD52D511SX005201111059 | 15u" |
| 6 | | WFD52D511SX006201111059 | 30u" |
| 7 | | WFD52D511SX007201111059 | 50u" |

TOLERANCES

- .X ±0.30
- .XX ±0.25
- .XXX ±0.10



WFDCONN 深圳市旺富达电子有限公司
SHEN ZHEN WFD ELECTRONICS CO., LTD

TITLE

RJ11 JACK 1X1 6P6C 全塑
无边 黑色PBT

PART NO.

SEE TABLE

| APPROVAL | CHECK | DRAWN | DATA |
|----------|-------|----------|------------|
| DAVID | SIMON | LIU MIAO | 2021/07/06 |

| UNIT | SCALE | CHECKED | REV |
|------|-------|---------|-----|
| MM | 1:1 | | A4 |

| DATE | REV | DESCRIPTION | CHECK | APPROVAL |
|------|-----|-------------|-------|----------|
| | | | | |