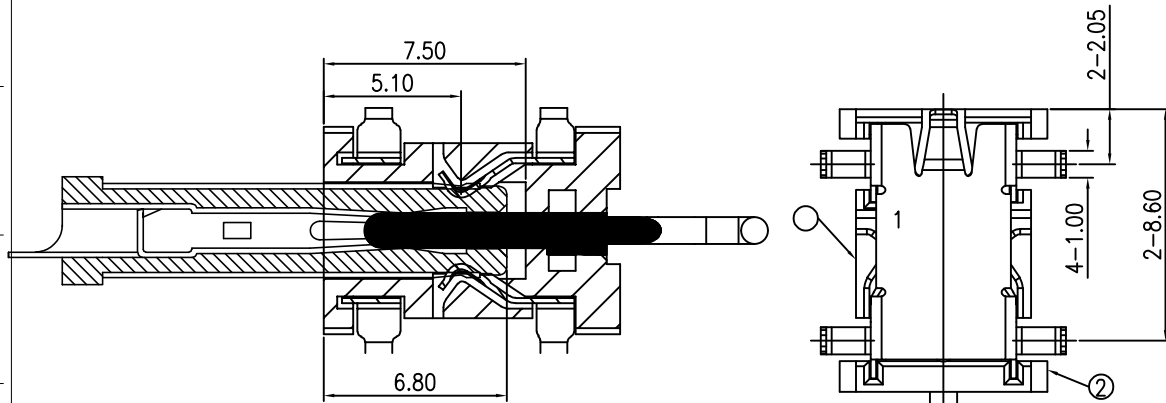
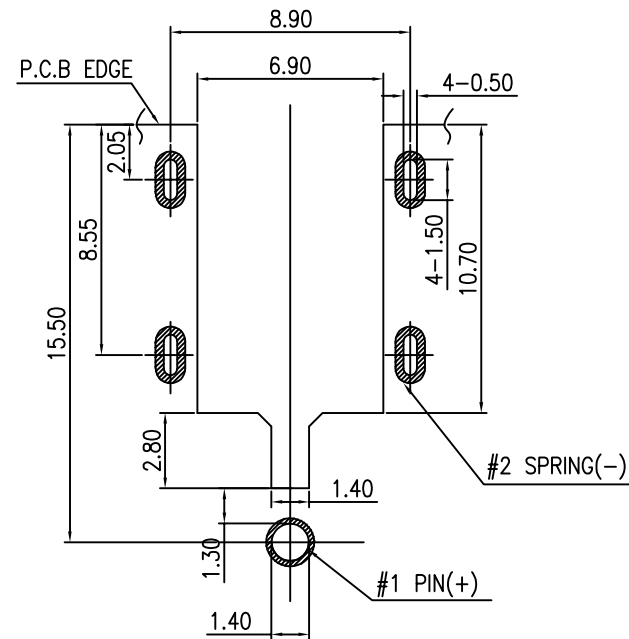
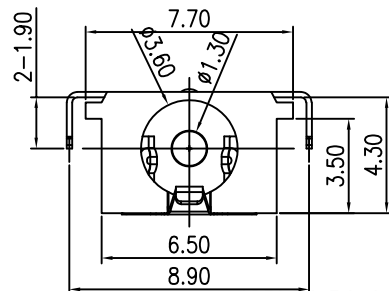
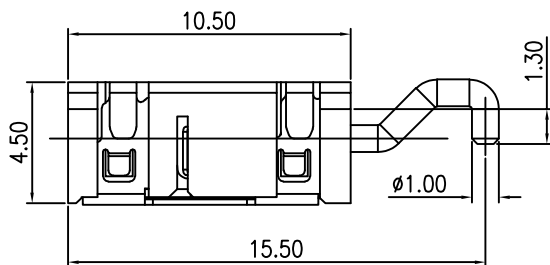


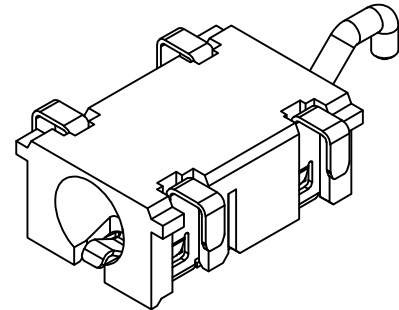
RoHS Compliant



DC JACK INSERT DEPTH



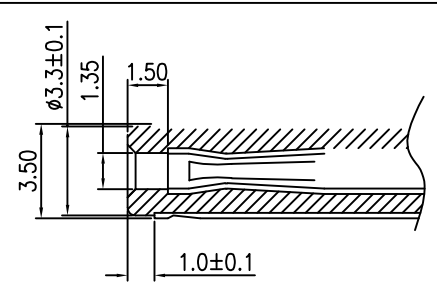
RECOMMENDED PCB LAYOUT
TOP VIEW (TOLERANCE:±0.05)



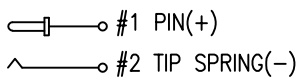
3D VIEW

SPECIFICATIONS:

- ELECTRICAL CHARACTERISTICS:
 - RATING: 24V 3A
 - CONTACT RESISTANCE: 50mΩ MAX.(INITIAL)
 - DIELECTRIC WITHSTANDING VOLTAGE: 500V AC FOR ONE MINUTE
 - INSULATION RESISTANCE: 100MΩ MIN. MEASURED BY 500V DC
- MECHANICAL CHARACTERISTICS:
 - INSERTION FORCE : 0.3~3.0 KGF
 - WITHDRAWAL FORCE : 0.3~3.0 KGF
- LIFE TEST: 5,000 CYCLES MIN.



MATE PLUG



ELECTRICAL CIRCUIT

NO.	DESCRIPTION	MATERIAL	REMARKS	QTY
3	CENTER PIN	COPPER ALLOY Ø1.3	Au	
2	TERMINAL	COPPER ALLOY 0.2t	Au	
1	HOUSING	HIGHT TEMPERATURE PLASTIC	Black	

UNLESS OTHERWISE,
GENERAL TOLERANCE:
X.xxx ±0.10
X.xx ±0.20
X.x ±0.30
X. ±0.50
ANGULAR:
X.xx ±1°
X.x ±3°
X. ±5°

WFDconn 深圳市旺富达电子有限公司
Shenzhen WFD Electronics Co.Ltd..

TITLE: DC JACK INSERT DEPTH
P/N: WFD D601A430R04GB005
MODEL: _____
DRAW NO.: _____

THIRD ANGLE PROJECTION UNIT: mm SCALE: 1:1 SIZE: A4 SHEET: 1/1

ECN NO.	REV.	DESCRIPTION	DATE	CHANGE	APPROVAL	DAVID	2017.06.22
N/A	A	NEW DRAWING	2017.06.22	Liu Miao	CHECK	SIMON	2017.06.22
					DESIGN	Liu Miao	2017.06.22