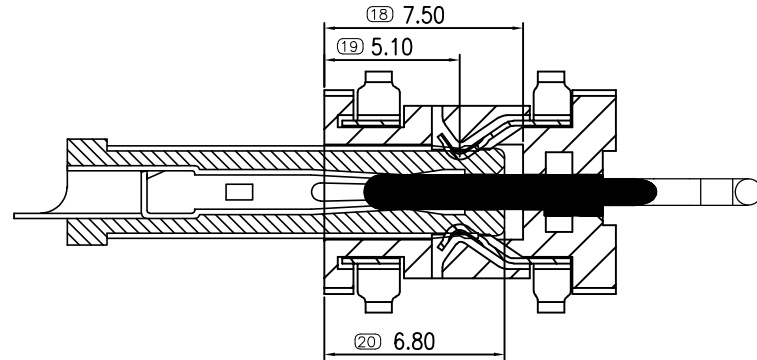
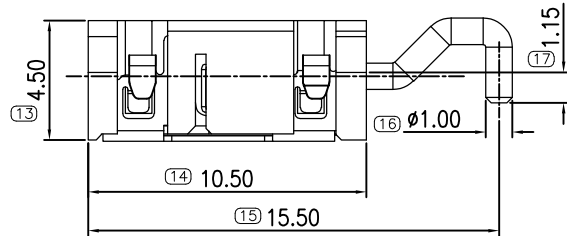
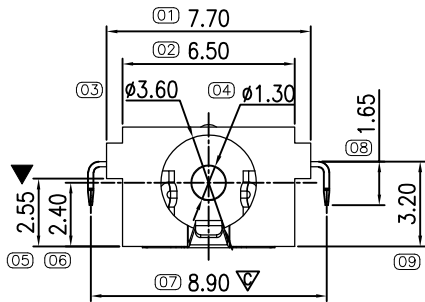
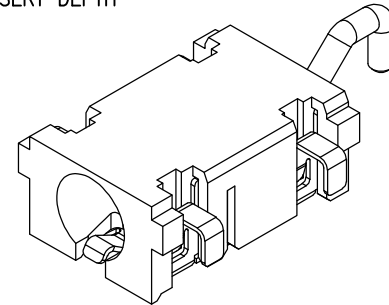


RoHS Compliant Halogen Free



DC JACK INSERT DEPTH



3D VIEW

SPECIFICATIONS:

1. ELECTRICAL CHARACTERISTICS:
 - 1-1. RATING: 24V 3A
 - 1-2. CONTACT RESISTANCE: 30mΩ MAX.(INITIAL)
 - 1-3. DIELECTRIC WITHSTANDING VOLTAGE: 500V AC FOR ONE MINUTE
 - 1-4. INSULATION RESISTANCE: 100MΩ MIN. MEASURED BY 500V DC
2. MECHANICAL CHARACTERISTICS:
 - 2-1. INSERTION FORCE : 0.3~3.0 KGF
 - 2-2. WITHDRAWAL FORCE : 0.3~3.0 KGF
3. LIFE TEST: 5,000 CYCLES MIN.
4. FOR REFLOW SOLDERING LEAD-FREE PROCESS.
5. ▼ REPRESENT CRITICAL DIMENSIONS.
6. ▽ CPK CONTROLLED DIMENSIONS.

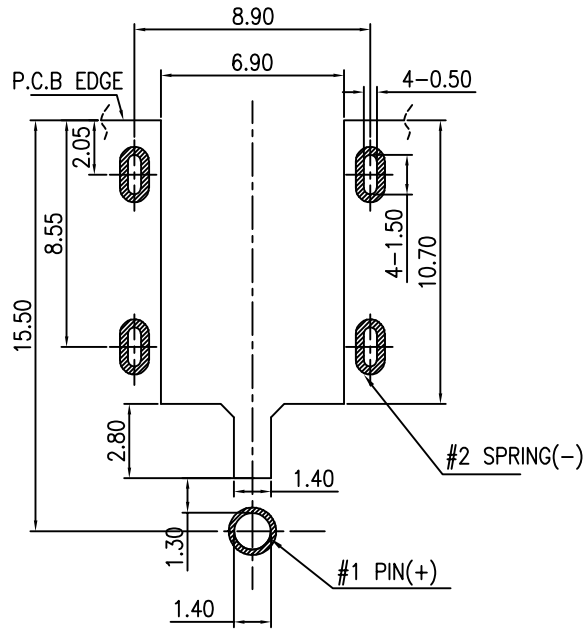
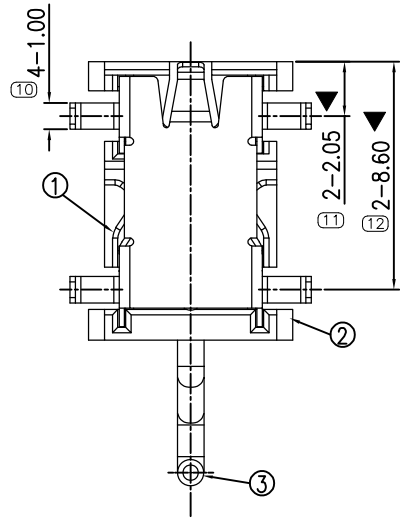
| | | | | |
|-----|-------------|-----|----------------------|-----------------|
| ③ | CENTER PIN | 1 | BRASS ϕ 1.30 | Au |
| ② | TERMINAL | 1 | PHOSPHOR BRONZE 0.2t | Au |
| ① | HOUSING | 1 | PAA | Black |
| NO. | DESCRIPTION | QTY | MATERIAL | PLATING & COLOR |

UNLESS OTHERWISE,
GENERAL TOLERANCE:
X.xxx \pm 0.10
X.xx \pm 0.20
X.x \pm 0.30
X. \pm 0.50

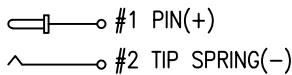
WFDconn 深圳市旺富达电子有限公司
Shenzhen WFD Electronics Co.Ltd..

TITLE: DC电源插座
P/N: WFD D601BR04GB003
MODEL:
DRAW NO.:

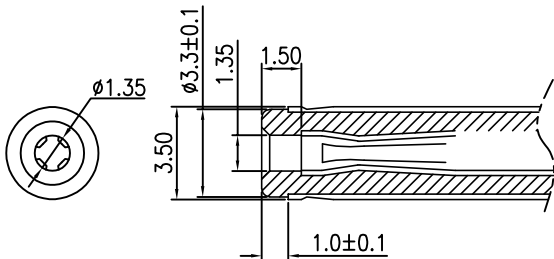
| | | | | | | |
|----------|-----------------------------|------------------------|----------|------------|----------|------------|
| ANGULAR: | X.x \pm 1° X. \pm 2° | THIRD ANGLE PROJECTION | UNIT: mm | SCALE: 1:1 | SIZE: A4 | SHEET: 1/1 |
|----------|-----------------------------|------------------------|----------|------------|----------|------------|



RECOMMENDED PCB LAYOUT
TOP VIEW (TOLERANCE:±0.05)



ELECTRICAL CIRCUIT



MATE PLUG

| | | | | |
|----------|----------|-------------|------|--------|
| DESIGN | Liu Miao | 2020.08.27 | | |
| CHECK | SIMON | 2020.08.27 | | |
| APPROVAL | Liu Miao | 2020.08.27 | | |
| ECN NO. | REV. | DESCRIPTION | DATE | CHANGE |