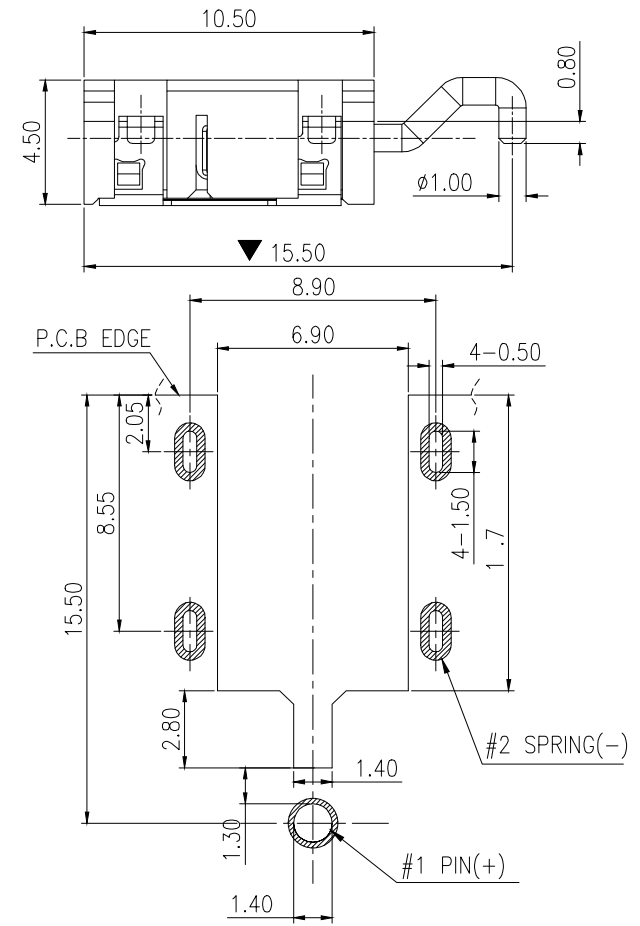
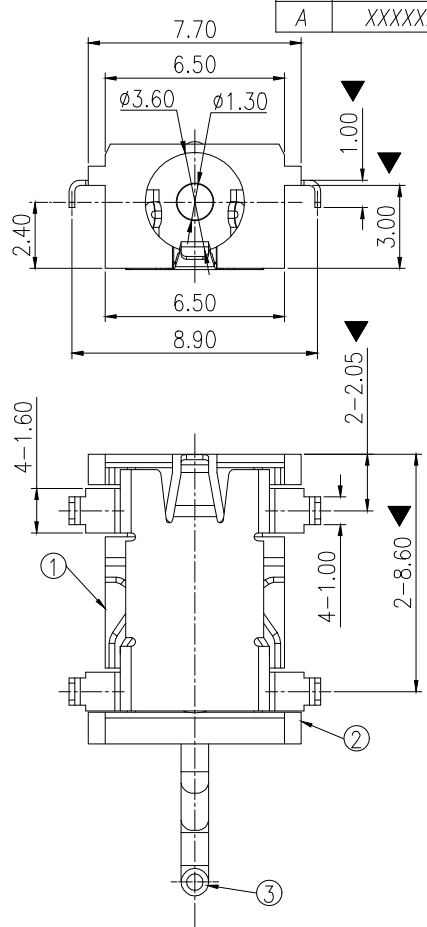
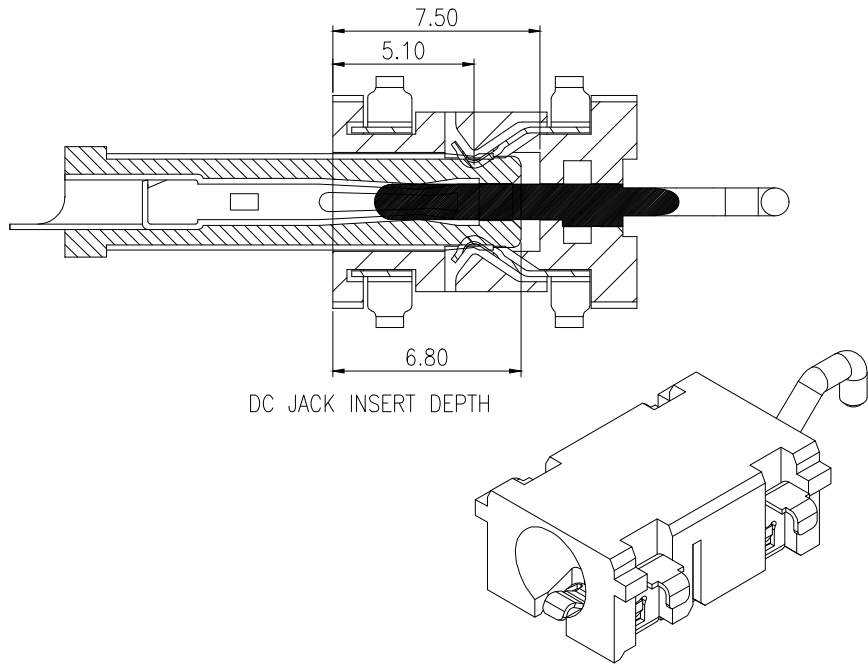
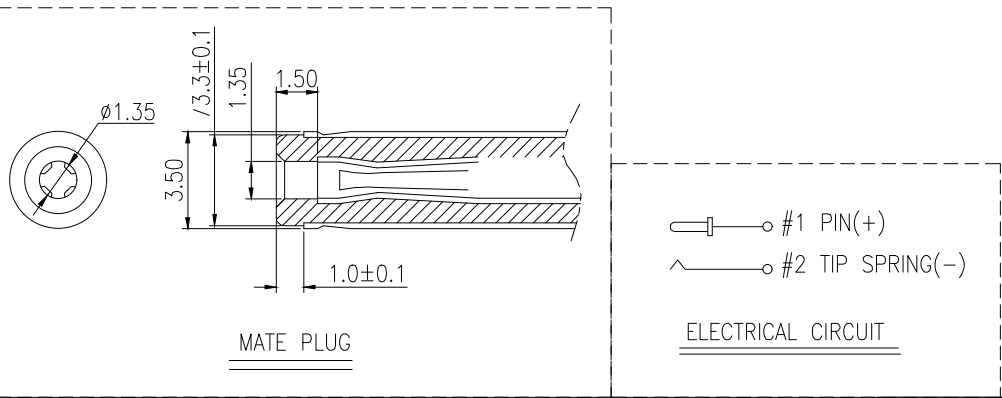


REV.	ECN NO.	DESCRIPTION	DESIGN	DATE
A	XXXXXXX	YANGCHENGWU	Liu Miao	2019.10.17



SPECIFICATIONS:

- ELECTRICAL CHARACTERISTICS:
 - RATING: 24V 3A
 - CONTACT RESISTANCE: 50mΩ MAX.(INITIAL)
 - DIELECTRIC WITHSTANDING VOLTAGE: 500V AC FOR ONE MINUTE
 - INSULATION RESISTANCE: 100MΩ MIN. MEASURED BY 500V DC
- MECHANICAL CHARACTERISTICS:
 - INSERTION FORCE : 0.3~3.0 KGF
 - WITHDRAWAL FORCE : 0.3~3.0 KGF
- LIFE TEST: 5,000 CYCLES MIN.
- FOR REFLOW SOLDERING LEAD-FREE PROCESS.
- ▼ REPRESENT CRITICAL DIMENSIONS.
- ▽ CPK CONTROLLED DIMENSIONS.



RECOMMENDED PCB LAYOUT
TOP VIEW (TOLERANCE:±0.05)

NO.	DESCRIPTION	QTY	MATERIAL	PLATING & COLOR
③	CENTER PIN	1	BRASS $\phi 1.30$	Au
②	TERMINAL	1	PHOSPHOR BRONZE 0.2t	Au
①	HOUSING	1	HIGHT TEMPERATURE PLASTIC	Black

UNLESS OTHERWISE SPECIFIED TOLERANCES

WFD_{CONN} 深圳市旺富达电子有限公司
Shenzhen WFD Electronics Co.Ltd..

DECIMALS:	ANGLES:	DWG NO.	Q/JH-CP-RD-04	PART NAME:
DIM	TOL	DIM	TOL	DC 电源插座
X.	±0.50	X.	±2°	PART NO.
X.X	±0.30	X.X	±1°	WFD D601D030R04GB001
X.XX	±0.20	X.XX	—	REV.
X.XXX	±0.10	X.XXX	—	UNIT: mm

CHECK: SIMON
APPROVED: DAVID

SHEET: 1/1