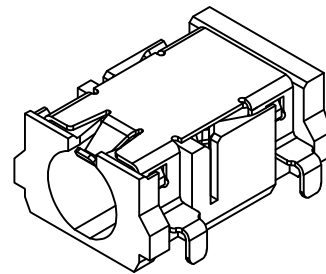
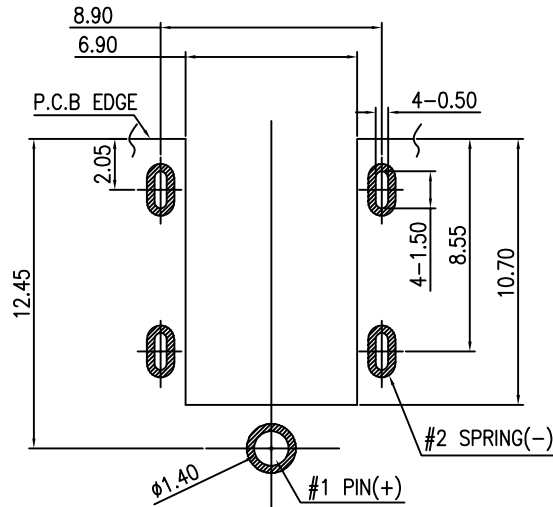
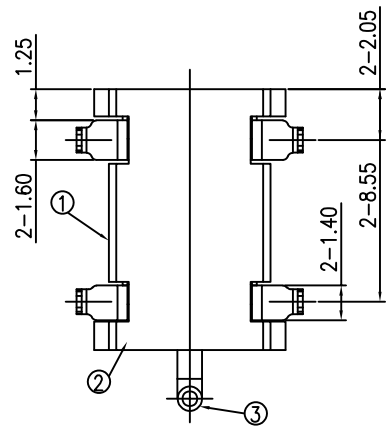
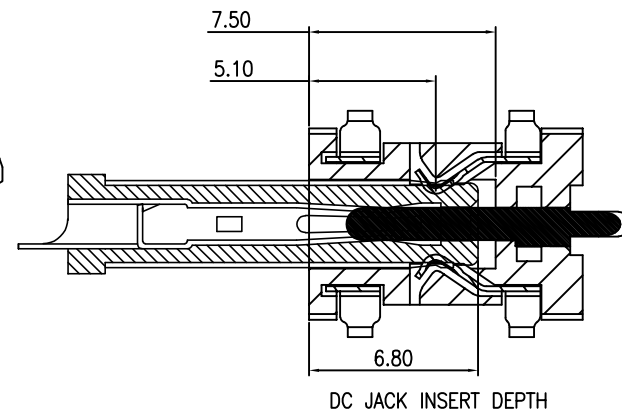


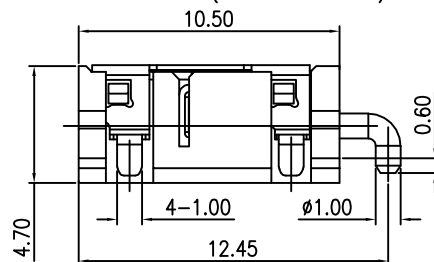
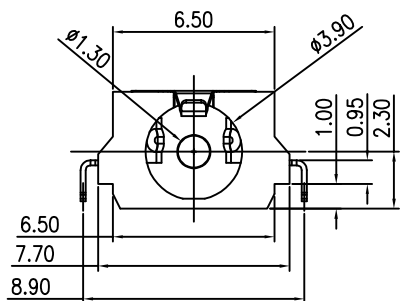
RoHS Compliant



3D VIEW

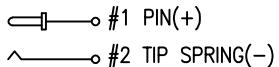


RECOMMENDED PCB LAYOUT  
TOP VIEW (TOLERANCE:±0.05)

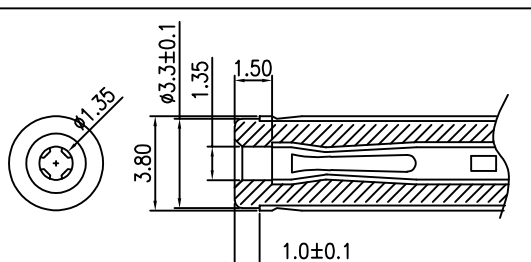


SPECIFICATIONS:

1. ELECTRICAL CHARACTERISTICS:
  - 1-1. RATING: 24V 3A
  - 1-2. CONTACT RESISTANCE: 50mΩ MAX.(INITIAL)
  - 1-3. DIELECTRIC WITHSTANDING VOLTAGE: 500V AC FOR ONE MINUTE
  - 1-4. INSULATION RESISTANCE: 100MΩ MIN. MEASURED BY 500V DC
2. MECHANICAL CHARACTERISTICS:
  - 2-1. INSERTION FORCE : 0.3~3.0 KGF
  - 2-2. WITHDRAWAL FORCE : 0.3~3.0 KGF
3. LIFE TEST: 5,000 CYCLES MIN.



ELECTRICAL CIRCUIT



MATE PLUG

3	CENTER PIN	COPPER ALLOY $\phi 1.10$	Au	1
2	TERMINAL	COPPER ALLOY 0.2t	Au	1
1	HOUSING	HIGHT TEMPERATURE PLASTIC	Black	1
NO.	DESCRIPTION	MATERIAL	REMARKS	QTY

UNLESS OTHERWISE,  
GENERAL TOLERANCE:  
X.xxx ±0.10  
X.xx ±0.20  
X.x ±0.30  
X. ±0.50  
ANGULAR:  
X.xx ±1°  
X.x ±3°  
X. ±5°

**WFDCONN** 深圳市旺富达电子有限公司  
Shenzhen WFD Electronics Co.Ltd..

TITLE: DC 电源插座	P/N: WFD D601GR04GB006
THIRD ANGLE PROJECTION	MODEL: _____
UNIT: mm	DRAW NO.: _____
SCALE: 1:1	SIZE: A4
SHEET: 1/1	

DESIGN	Liu Miao	2018. 12. 08
CHECK	SIMON	2018. 12. 08
APPROVAL	DAVID	2018. 12. 08

N/A	A	NEW DRAWING	2018. 12. 08	Liu Miao
ECN NO.	REV.	DESCRIPTION	DATE	CHANGE