

电气特性:Electrical:

1. 额定电流: Current Rating  
1.5A/contact terminal
2. 额定电压: Voltage Rating  
30V DC
3. 接触阻抗: Contact Resistance  
30 milliohms MAX
4. 耐电压: Dielectric Withstanding Voltage:  
500 V AC AT Sea Level
5. 绝缘阻抗: Insulation Resistance:  
1000MEGA ohms MIN

物理性能: Mechanical:

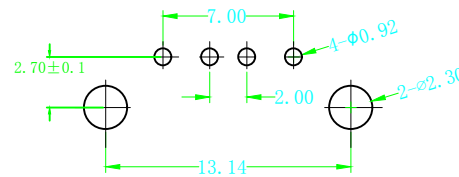
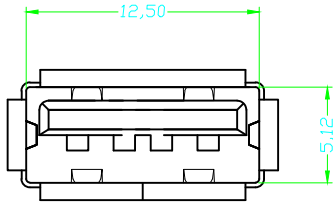
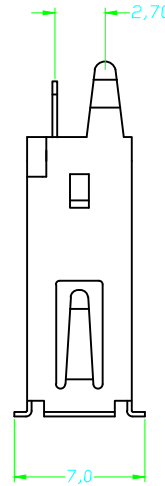
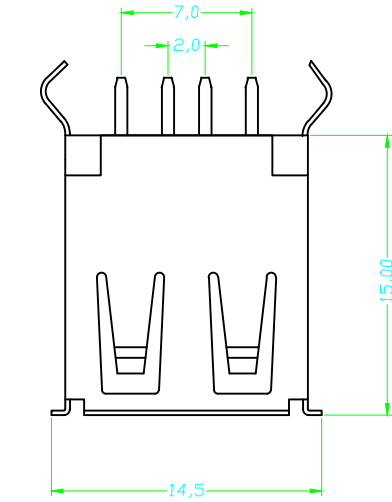
1. 插拔力: Connector Mate and Unmate Force  
Mate force: 3.57kgf (MAX)  
Unmate force: 1.02kgf (MIN)
2. 端子保持力: Terminal Retention  
1.2kgf (MIN)

原材料: Material:

1. 塑胶: Housing:  
High Temperature Thermoplastics,  
UL 94V-0 PBT White/Black
2. 端子: Contact: Copper Alloy C2680
3. 外壳: Shell: C2680/SPCC

电镀: Finish:

1. 端子: Contact: Plated Gold in Mating Area;  
Tin On Solder Tails
2. 外壳: Shell:  
Nickel Plating



P.C.B LAYOUT  
BOTTOM VIEW

<b>WFD</b> 深圳市旺富达电子有限公司 CONN SHEN ZHEN WFD ELECTRONICS CO., LTD		图号 (DWG NO)	UM-026	单位(UNIT): MM
		版本 (REV)	A/0	比例(SCALE) 1:1
品名 (ITEM NO)	A/F 直插卷边弯脚L=15.0	日期 (DATE)	2012.06.08	未注公差 TOLERANCE UNSPECIFIED X.X ±0.30 X.XX ±0.20 X.XXX ±0.10 X° ±5° X.X° ±2°
料号 (PART NO)	USB-F2004-SC006	设计 (DESIGN)	Liu Miao	
模号 (MODEL NO)	WFD-026	审核 (CHECKED)	SIMON	
		核准 (APPROVED)	DAVID	