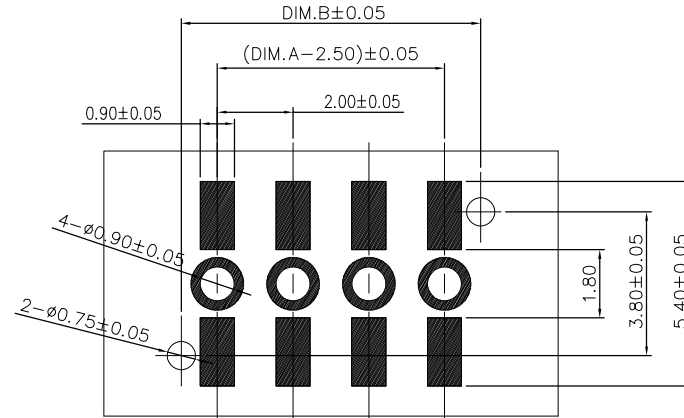
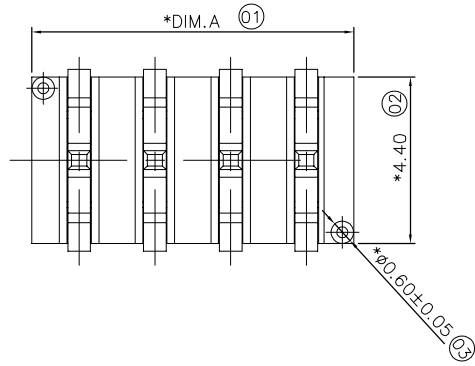
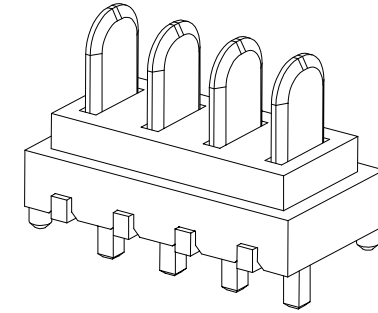


REV	LTR	Description	Date	Approved
1.0		新版发行	2016/09/20	LIU MIAO



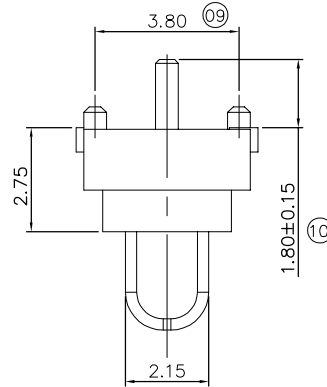
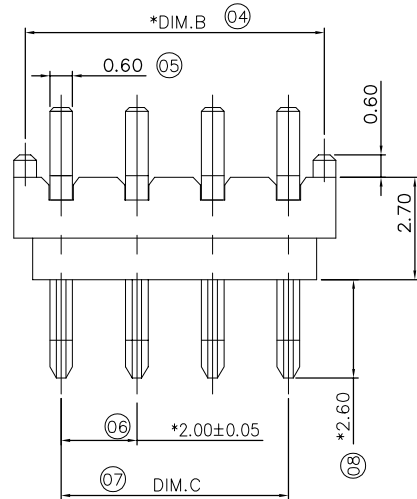
Recommended P.C.Board Layout



备注:

1. 材料: LCP黑色, 黄铜镀金;
1. 额定电压: AC/DC 30V Max
2. 绝缘耐压: AC 1000V 1 MINUTE, 无损伤
3. 绝缘电阻: DC 500V 1 MINUTE, 1000MΩ Min
4. 操作温度: -20° to +80°
5. 料号说明MPB-AM02-K XX

03: 3PIN
04: 4PIN
.....



Table

PIN	Dim. A	Dim. B	Dim. C
03pin	6.50	5.90	4.00
04pin	8.50	7.90	6.00
05pin	10.50	9.90	8.00
06pin	12.50	11.90	10.00
07pin	14.50	13.90	12.00
08pin	16.50	15.90	14.00
09pin	18.50	17.90	16.00
10pin	20.50	19.90	18.00

WFDCONN 深圳市旺富达电子有限公司
SHEN ZHEN WFD ELECTRONICS CO., LTD

DRAW: LIU MIAO	TOLERANCES .0 ±0.38 .00 ±0.25 .000 ±0.10	TITLE: 2.0 PITCH 电池座
CHKD:	ANG ±2°	
APPD:	SCALE: 1:1	PART NO.: MPB-AM02-KXX
	SIZE: A4	DWG NO.:
		REV 1.0