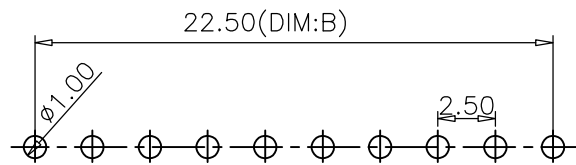
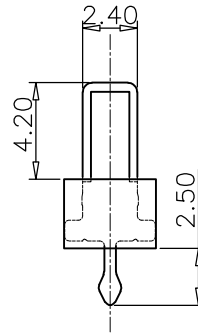
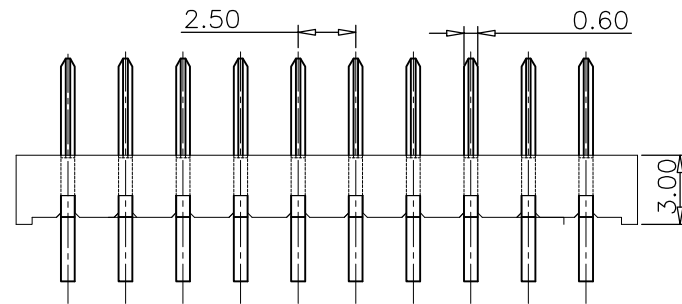
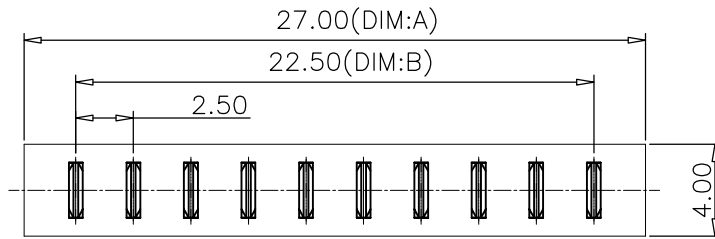


RoHS  
Compliant

# 结构图面

REV	DESCRIPTION	APPR	CHECK	DRAW	DATE
△	原始图档				

Material  
 Insulator:Nylon 9T(UL94V-0)  
 TERMINAL:phosphor Bronze  
 TERMINAL:Plated Gold over  
 Nickel or Tin  
 Specification  
 Current rating:7A  
 instant CURRENT:10A  
 Contact Resistance:30MΩ  
 Insulation Resistance:100MΩ  
 Dielectric Voltage:500V  
 Operdting  
 Temperature:-40°~105°



Recommended P.C.B Layout  
 Layout Tolerance=+/-0.05mm

No. of Pins	Dimension	
	DIM.B	DIM.A
03	5.00	9.50
04	7.50	12.00
05	10.00	14.50
06	12.50	17.00
07	15.00	19.50
08	17.50	22.00
09	20.00	24.50
10	22.50	27.00

QUALITY SYMBOLS	GENERAL TOLERANCES (UNLESS SPECIFIED)				SCALE: 1:1	NUMBER:	<b>WFDconn</b> 深圳市旺富达电子有限公司 SHEN ZHEN WFD ELECTRONICS CO., LTD TITLE: 2.5PH 电池座 180度DIP公座
		MM		INCH	MATERIAL:	HRC:	
	▽ <sub>A</sub> ~0	. X ±0.25	. X	Ⓢ	DRAWN BY	DATE	
	▽ <sub>C</sub> ~0	. XX ±0.15	. XX	Ⓢ	CHECKED BY	DATE	
	. XXX ±0.05	. XXX	Ⓢ	APPROVED BY DATE		THIRD ANGLE PROJECTION	REVISE ON CAD ONLY
ANGULAR ±1°				DRAFT WHERE APPLICABLE MUST REMAIN WITHIN DIMENSIONS		PART NO. MPB-AM025-KXX	DWG NO.
						SHEET NO. 1/1	A4