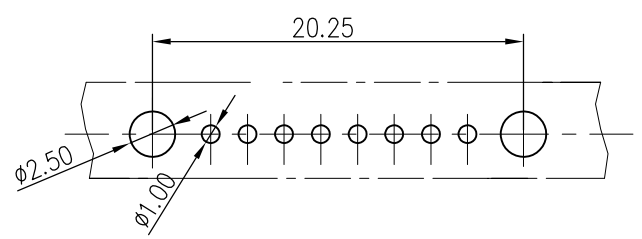
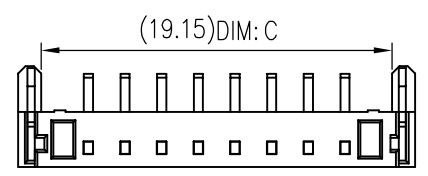
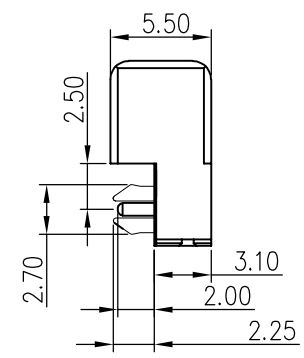
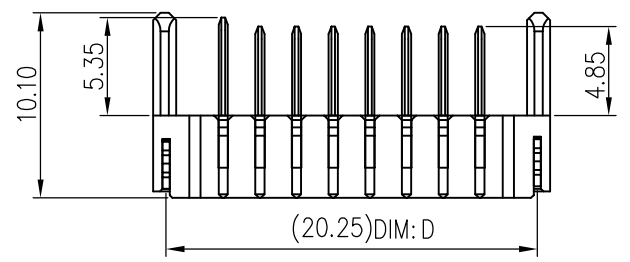
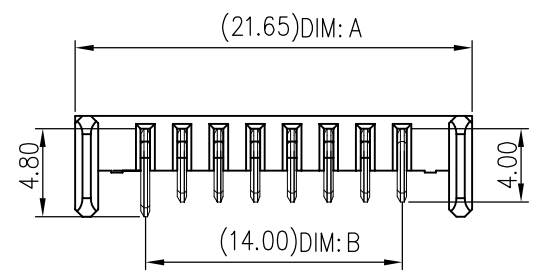


REV.	DESCRIPTION	DRAW.	DATE.
01	新发行图面	LIU MIAO	



Recommended P.C.B Layout

NOTE:  
 Material  
 Insulator: Nylon 9T(UL94V-0)  
 Contact: phosphor Bronze  
 Contact Plated: Gold over Nickel or Tin  
 Specification  
 Current rating: 5A  
 instant CURRENT: 7A  
 Contact Resistance: 30M $\Omega$   
 Insulation Resistance: 100M $\Omega$   
 Dielectric Voltage: 500V  
 Operdting Temperature: -40 $^{\circ}$ ~105 $^{\circ}$

No: of pins	Dimension			
	DIM.A	DIM.B	DIM.C	DIM.D
03	11.65	4.00	9.15	10.25
04	13.65	6.00	11.15	12.25
05	15.65	8.00	13.15	14.25
06	17.65	10.00	15.15	16.25
07	19.65	12.00	17.15	18.25
08	21.65	14.00	19.15	20.25
09	23.65	16.00	21.15	22.25
10	25.65	18.00	23.15	24.25
11	27.65	20.00	25.15	26.25
12	29.65	22.00	27.15	28.25

**WFD**CONN 深圳市旺富达电子有限公司  
 SHEN ZHEN WFD ELECTRONICS CO., LTD

UNLESS OTHERWISE SPECIFIED, TOLERANCE: X. $\pm 0.20$ X.x $\pm 0.10$ X.xx $\pm 0.05$ ANGULAR $\pm 2^{\circ}$	DESIGN	LIU MIAO	DATE	2016.06.10	TITLE:		
	APPROVED		DATE		2.0 电池座公座 90度左大		
	PART NO	MPB-AM20-KXX	REV:	01	SCALE:	1:1	UNIT: mm
	DRAWING NO		SIZE:	A4	SHEET:	1/1	