

REV	LTR	Description	Date	Approved
A0		新版发行	2020/07/14	LIU MIAO

NOTE:

1. MATERIAL:

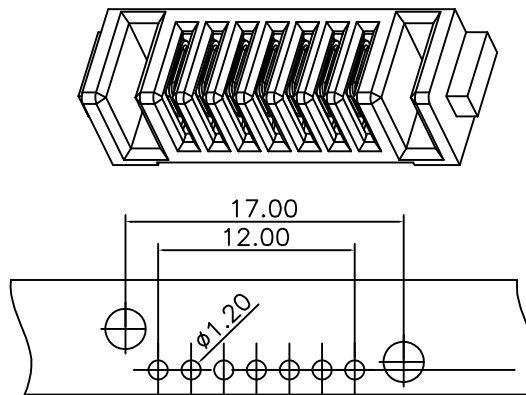
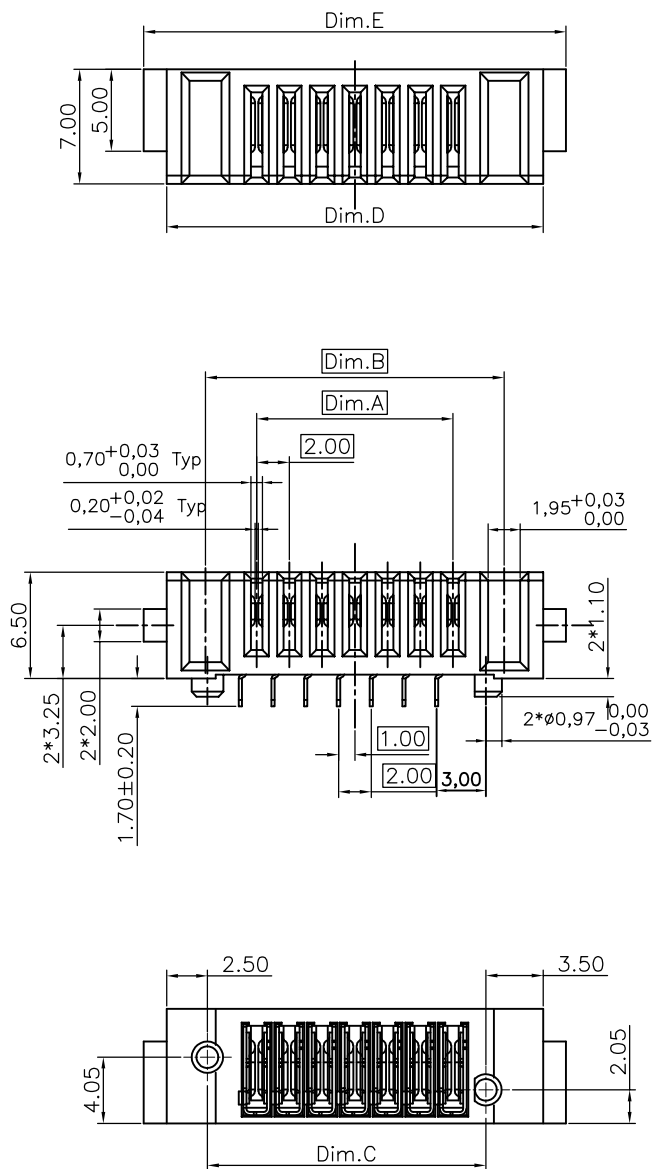
- 1.1 INSULATOR: Nylon, UL 94V-0
- 1.2 CONTACT: C5191, T=0.20mm.

2. ELECTRICAL CHARACTERISTICS:

- 2.1 CONTACT RESISTANCE: 30mΩ MAXIMUM
- 2.2 CONTACT CURRENT RATING: 5.0A.
- 2.3 DIELECTRIC WITHSTANDING VOLTAGE: 100VR. M. S.
- 2.4 INSULATION RESISTANCE 100 MEGOHMS MIN
- 2.5 OPERATING TEMPERATURE: -40° C ~ 85° C

3. PLATING

- 3.1 TERMINAL: (1-30)u" Au ON CONTACT AREA,
80u" MIN. MATTE-Tin ON SOLDER TAILS
50u" MIN UNDER PLATING NICKEL ALL OVER



Recommended P.C.B Layout

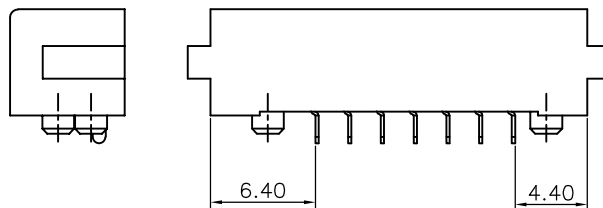


Table 1:

15	28.00	34.25	33.00	39.00	41.80
14	26.00	32.25	31.00	37.00	39.80
13	24.00	30.25	29.00	35.00	37.80
12	22.00	28.25	27.00	33.00	35.80
11	20.00	26.25	25.00	31.00	33.80
10	18.00	24.25	23.00	29.00	31.80
9	16.00	22.25	21.00	27.00	29.80
8	14.00	20.25	19.00	25.00	27.80
7	12.00	18.25	17.00	23.00	25.80
6	10.00	16.25	15.00	21.00	23.80
5	8.00	14.25	13.00	19.00	21.80
4	6.00	12.25	11.00	17.00	19.80
3	4.00	10.25	9.00	15.00	17.80
Pin	Dim. A	Dim. B	Dim. C	Dim. D	Dim. E

WFD CONN 深圳市旺富达电子有限公司
SHEN ZHEN WFD ELECTRONICS CO., LTD

DRAW: LIU MIAO	TOLERANCES .0 ±0.30 .00 ±0.20 .000 ±0.10	TITLE: 大2.0电池座成品1.7mm
CHKD:	ANG ±3°	
APPD:	SCALE: 2:1	PART NO.: MPB-AF20-KXX
	SIZE: A4	DWG NO.:
		REV A1