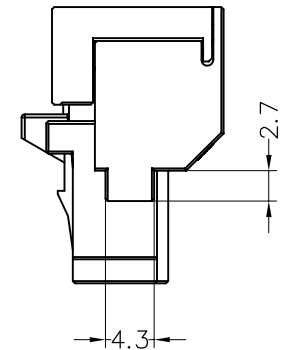
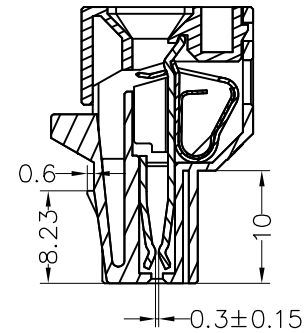
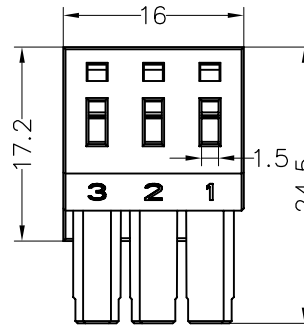
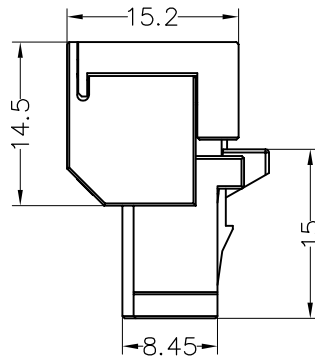
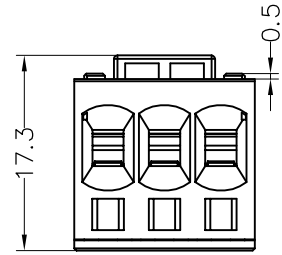


**HSF** RoHS

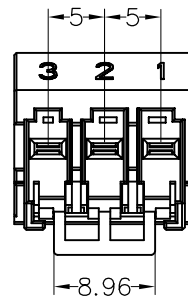
**SPECIFICATIONS**

Rated(额定参数): 300V,10A  
 Dielectric strength(抗电强度): AC2000V/1 Minute  
 Insulation Resistance(绝缘电阻):1000MΩ Min  
 Contact Resistance(接触电阻):30mΩ Max  
 Temp. range(操作温度): -40℃~+105℃  
 MAX Soldering(瞬时温度):+250℃,5s

Housing Material(塑件): PBT (UL94 V-0)  
 Contact(端子): Phosphor bronze  
 Plating:镀金2um/Ni



A-A SECTION



**Ordering Information**

**WFD8EDGKH - 500 03 B X 1**

- Pitch 500=5.0PH
- No.of pins 3P
- Housing Color  
 B=Black  
 G=Green  
 U=Blue  
 R=Red  
 W=White  
 Y=Yellow  
 O=Orange  
 E=Grey
- Packing  
 O=Pe bag  
 A=Tray  
 T=Tube

		OPERATION		DRAW	LIU MIAO	19.03.06	SCALE	FIT	<b>WFD</b> CONN 深圳市旺富达电子有限公司 SHEN ZHEN WFD ELECTRONICS CO., LTD	
		X.X	±0.30	CHECK			UNIT	mm		
		X.XX	±0.20		APPROVE			SIZE	A4	
		X.XXX	±0.10					SHEET	1/1	PART NO.
REV	DATE	MODIFICATION DESCRIPTION		CHANGE			PROJ.		TITLE:	5.0mm x 3P 公头 右开口

A

B

C

D

E

F

G

A

B

C

D

E

F

G