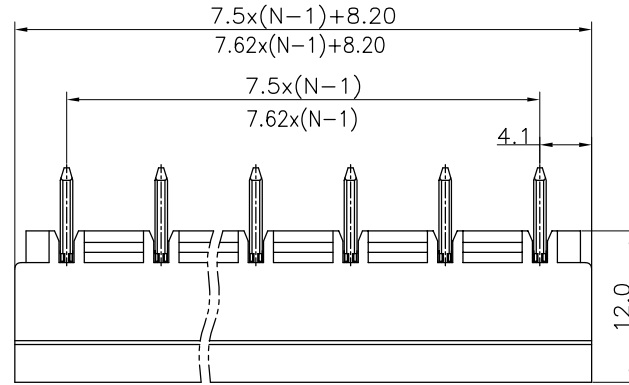


HSF RoHS

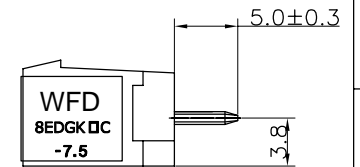
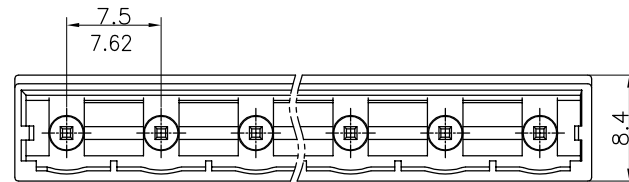
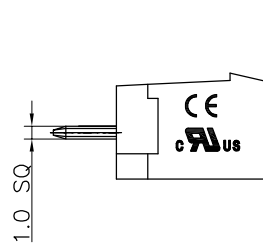
SPECIFICATIONS

Rated(额定参数): 300V,15A
 Dielectric strength(抗电强度): AC1600V/1 Minute
 Insulation Resistance(绝缘电阻):1000MΩ Min
 Contact Resistance(接触电阻):20mΩ Max
 Temp. range(操作温度): -40℃~+105℃
 MAX Soldering(瞬时温度):+250℃,5s

Housing Material(塑件): PA66 (UL94 V-0)
 Contact(端子): Brass, Tin plating(黄铜镀锡)



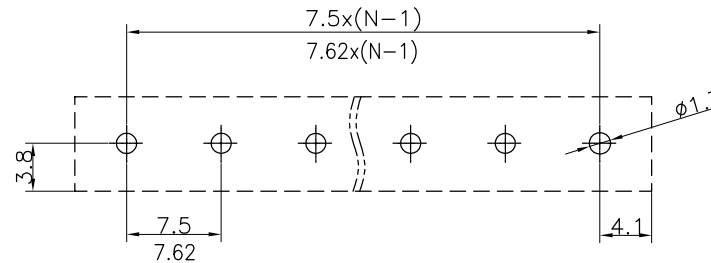
PITCH RANGE IN MM			NOMINAL DIMENSION RANGE IN MM				
TO	OVER	OVER	TO	OVER	OVER	OVER	OVER
6	10	10	30	30	60	100	150
10	24	24	30	60	100	150	150
±0.10	±0.15	±0.25	±0.30	±0.30	±0.50	±0.70	±1.00



Ordering Information

WFD8EDGVC - XXX XX X X 1

- Pitch
750=7.50PH
762=7.62PH
- No.of pins
2P~12P
- Housing Color
B=Black
G=Green
U=Blue
R=Red
W=White
Y=Yellow
O=Orange
E=Grey
- Packing
O=Pe bag
A=Tray
T=Tube



Recommended P.C.B Layout(Top Side)

OPERATION

X.X	±0.30
X.XX	±0.20
X.XXX	±0.10
Angle	±3°
DIM	TOL

DRAW	LIU MIAO	20.06.09
CHECK		
APPROVE		

SCALE	FIT
UNIT	mm
SIZE	A4
SHEET	1/1
PROJ.	

WFD_{CONN} 深圳市旺富达电子有限公司
 SHEN ZHEN WFD ELECTRONICS CO., LTD

PART NO. **WFD8EDGVC-750(762)XXXX1**
 TITLE: 7.5/7.62mm Pitch Male Pluggable Terminal Blocks

A0

2020.06.09 NEW DRAWING

REV	DATE	MODIFICATION DESCRIPTION	CHANGE
-----	------	--------------------------	--------

A