

HSF RoHS

SPECIFICATIONS

Rated(额定参数): 300V,15A

Dielectric strength(抗电强度): AC1600V/1 Minute

Insulation Resistance(绝缘电阻):1000MΩ Min

Contact Resistance(接触电阻):20mΩ Max

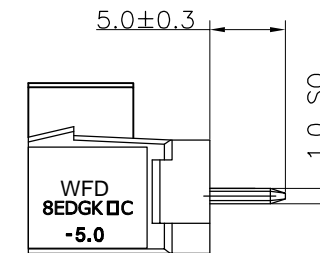
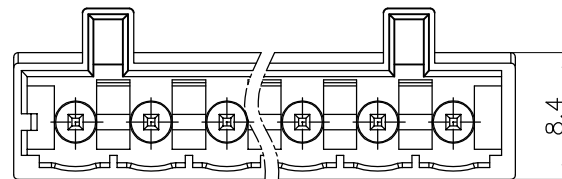
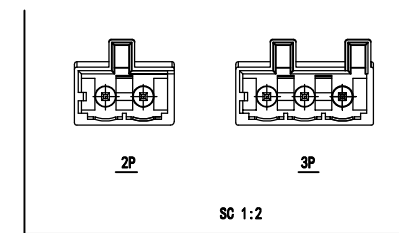
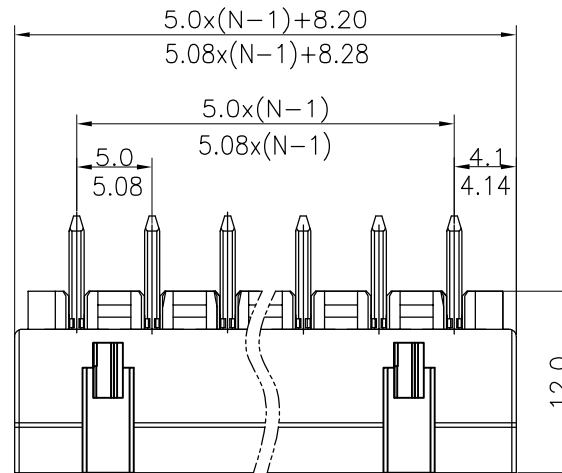
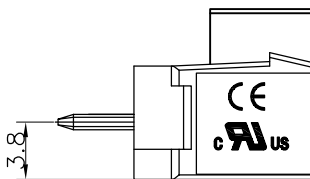
Temp. range(操作温度): -40℃~+105℃

MAX Soldering(瞬时温度):+250℃,5s

Housing Material(塑件): PA66 (UL94 V-0)

Contact(端子): Brass, Tin plating(黄铜镀锡)

PITCH RANGE IN MM			NOMINAL DIMENSION RANGE IN MM				
TO	OVER	OVER	TO	OVER	OVER	OVER	OVER
6	6 TO 10	10 TO 24	30	30 TO 60	60 TO 100	100 TO 150	150
±0.10	±0.15	±0.25	±0.30	±0.30	±0.50	±0.70	±1.00



Ordering Information

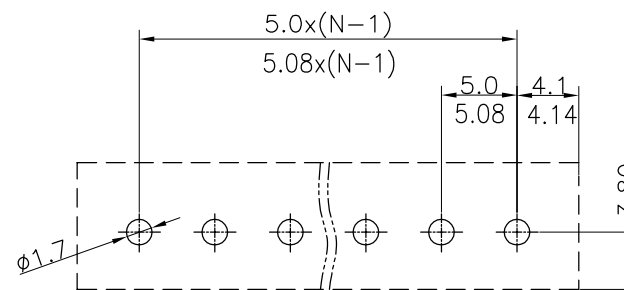
WFD8EDGVCB - XXX XX X X 1

Pitch
500=5.0PH
508=5.08PH

No.of pins
2P~24P

Housing Color
B=Black
G=Green
U=Blue
R=Red
W=White
Y=Yellow
O=Orange
E=Grey

Packing
O=Pe bag
A=Tray
T=Tube



Recommended P.C.B Layout(Top Side)

				OPERATION		DRAW	LIU MIAO	20.06.09	SCALE	FIT	WFD_{CONN} 深圳市旺富达电子有限公司 SHEN ZHEN WFD ELECTRONICS CO., LTD	
				X.X	±0.30				UNIT	mm		
				X.XX	±0.20	CHECK			SIZE	A4	PART NO.	WFD 8EDGVCB-500(508)XXXX1
A0	2020.06.09	NEW DRAWING		X.XXX	±0.10	APPROVE			SHEET	1/1	TITLE:	穿墙式5.0/5.08mm端子台公座/180度直针/加凸台
REV	DATE	MODIFICATION DESCRIPTION		CHANGE					PROJ.			
1	2	3	4	5	6	7	8	9				