

版次 (Ed)	变更摘要 (Change The Content)	日期 (Date)	序号 (NO.)	品名 (Name)	材质 (Material)
0	新产品发行 (New Product Launch)	2017/01/02			
1	胶芯主体设改变改善成品共面度	2018/08/22	①	2.00 F型立式WTB胶芯 2.00Pitch S/T Wire To Board Housing (H=6.8)	LCP UL94V-0 本色 <b>Natural</b>
2	更改焊片料带结构, 提升组装折料带效率	2021/07/13	②	2.00 F型立式WTB端子 2.00 Pitch S/T Wire To Board Terminal (H=6.8)	铜合金/表面镀锡 Copper Alloy/ Tin Plating
			③	2.00 F型立式WTB焊片 2.00 Pitch S/T Wire To Board Fitting Nail (H=6.8)	铜合金/表面镀锡 Copper Alloy/ Tin Plating
			④	2.00 F型立式WTB吸盖 2.00 Pitch S/T Wire To Board Cover (H=6.8)	LCP UL94V-0 本色 <b>Natural</b>

技术指标 (Technical Index):

- 塑件表面应光洁、无毛边、无明显收缩、缺陷、裂纹等现象。  
(The surface of the plastic parts should be smooth, no rough edges, no obvious shrinkage, defects, cracks and other phenomena)
- 不同pin位吸盖加入/取出力有差异, 实属正常现象。  
(It is normal than there are difference between suction cap and suction cap at different Pin positions)
- 温度范围 (Temperature range):  $-40^{\circ}\text{C} \sim 85^{\circ}\text{C}$ .
- 额定电压 (Rated voltage): 200V, AC.
- 接触电阻 (Contact resistance):  
 $\leq 55\text{m}\Omega$  (initial) per contact,  $\leq 25\text{m}\Omega$  Change allowed.
- 绝缘电阻 (Insulation resistance):  $\geq 1000\text{M}\Omega$ .
- 产品料号 (Product material No.):

WFD-200FL-\*\*-\*\*-\*--\*\*

NO OF CKT (产品PIN数)

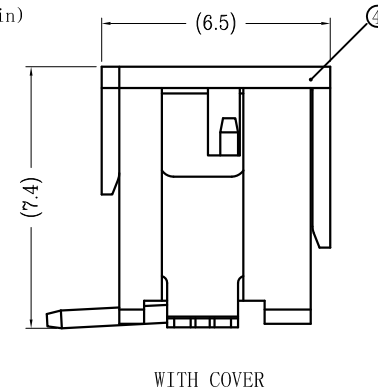
OW 胶芯无LOGO (Housing without LOGO)

Plating (电镀方式)

Packing (包装方式)

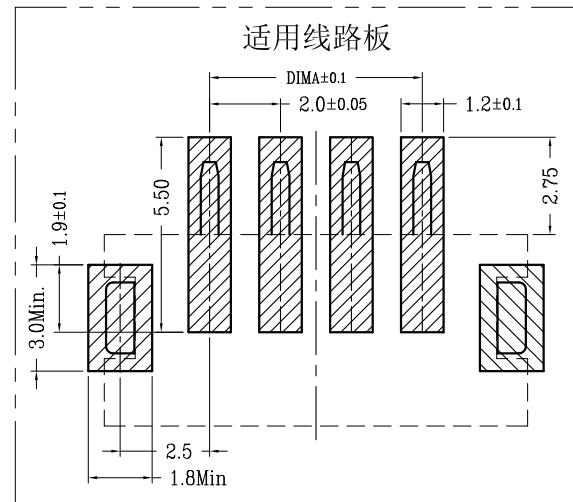
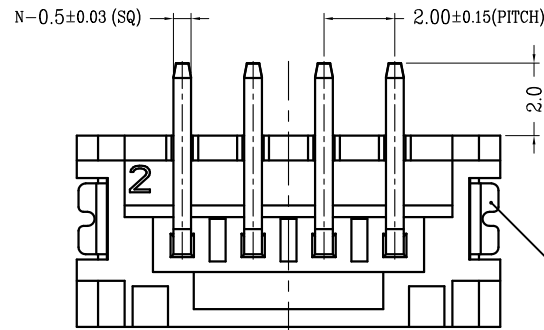
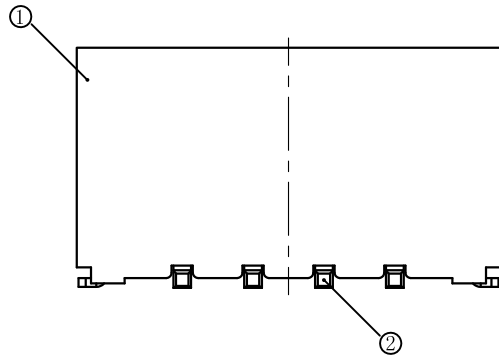
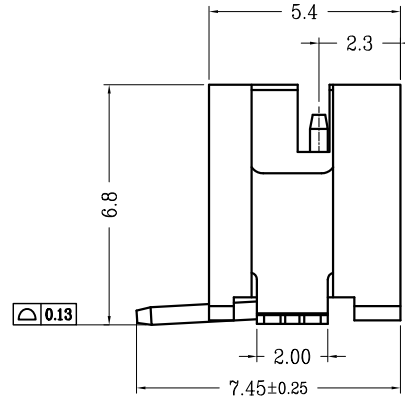
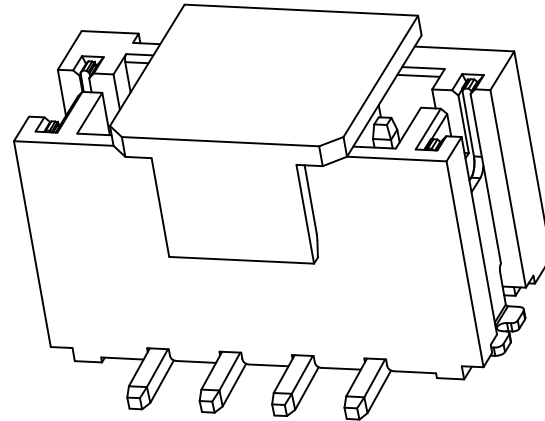
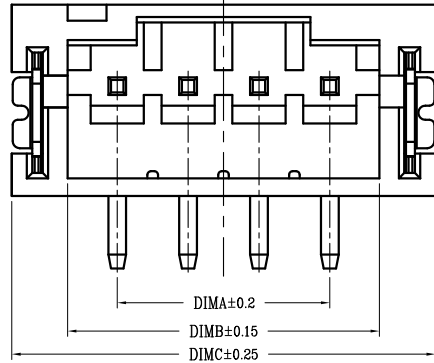
- 0: 端子全雾锡  
(Terminal all mist tin)
- 1: 端子全金  
(Terminal G/F OVER ALL)
- 4: 端子全亮锡  
(Terminal all bright tin)

- T: TUBE管装
- R: TAPE & REEL卷装
- C: TAPE & REEL WITH COVER加吸盖卷装



WITH COVER

CKT	DIM A	DIM B	DIM C
2	2.00	4.80	7.95
3	4.00	6.80	9.95
4	6.00	8.80	11.95
5	8.00	10.80	13.95
6	10.00	12.80	15.95
7	12.00	14.80	17.95
8	14.00	16.80	19.95
9	16.00	18.80	21.95
10	18.00	20.80	23.95
11	20.00	22.80	25.95
12	22.00	24.80	27.95
13	24.00	26.80	29.95
14	26.00	28.80	31.95
15	28.00	30.80	33.95
16	30.00	32.80	35.95
17	32.00	34.80	37.95
18	34.00	36.80	39.95
19	36.00	38.80	41.95
20	38.00	40.80	43.95



适用线路板

一般公差 (TOLERANCE)  
X ±0.50 XX ±1.0  
X ±0.20 XXX ±0.05  
ANGLES ±1°

WFDCONN 深圳市旺富达电子有限公司  
SHEN ZHEN WFD ELECTRONICS CO., LTD

品名 (TITLE)	2.00 Pitch F型立式WTB	制图 (DR)	LIU MIAO
料号 (DWG.NO)	WFD-200FL-024C-0W	校对 (CHKD)	
比例 (SCALE)	1:1	审核 (APPD)	
单位 (UNITS)	mm	张数 (SHEET)	1 OF 1
		SIZE	A4
		REV	A