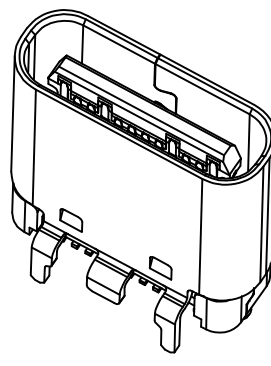
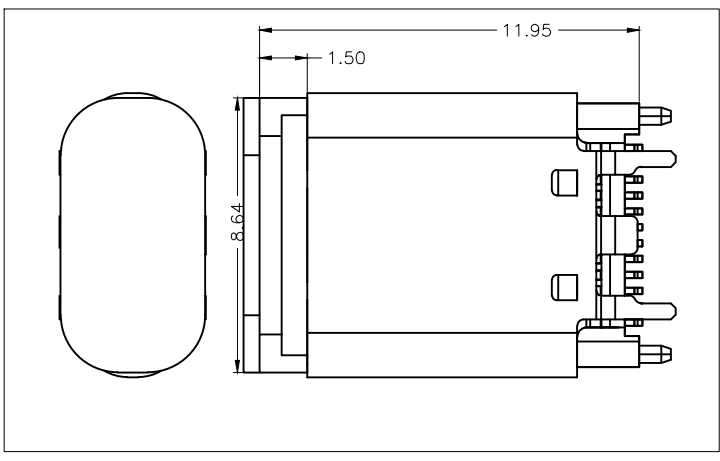
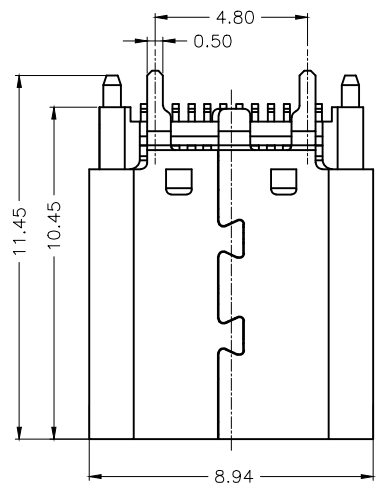
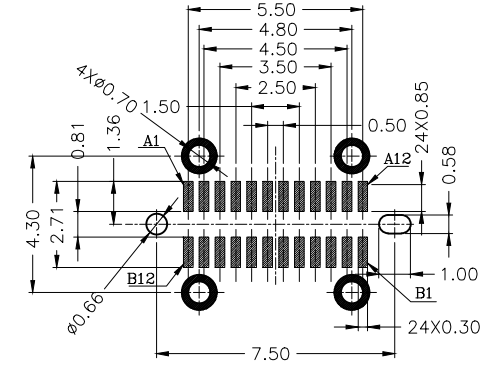
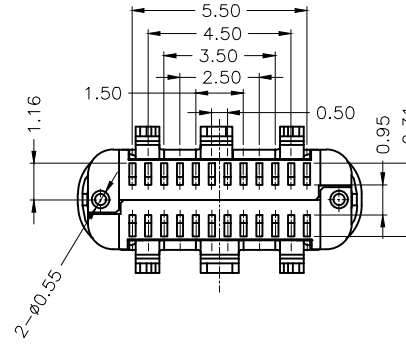
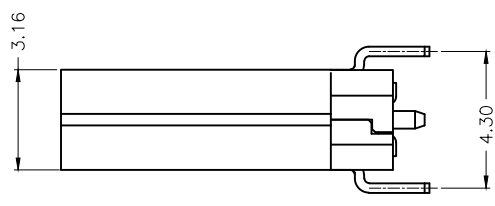
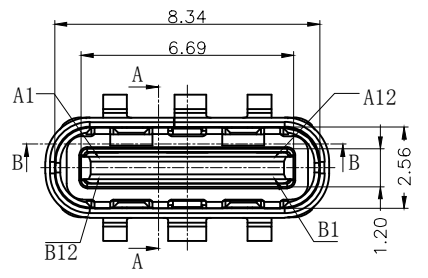


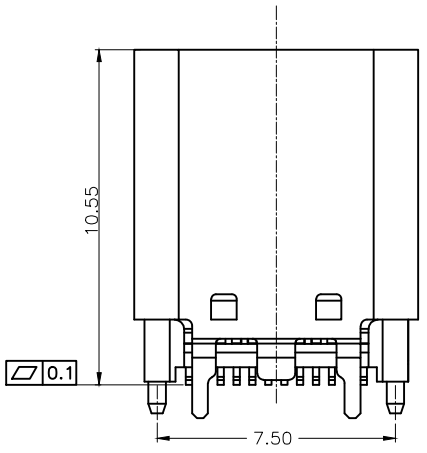
REV.	ECN NO.	DESCRIPTION	DRAW	APPD.	DATE
A	---	新版本发行			



- NOTES:
SPECIFICATION:
1. CURRENT RATING: 5.0A MAX
 2. VOLTAGE: 100 VAC
 3. TEMPERATURE RANGE: -30 °C ~ 85 °C
 4. CONTACT RESISTANCE: 40 MILLIONHM MAX
 5. INSULATION RESISTANCE: 100 MEGOHMS MIN.
 6. LNSERTION FORCE : 5N~20N
 7. UNMATING FORCE: 8N~20N
 8. DURABILITY: 10,000 CYCLES



RECOMMENDED P.C.B. LAYOUT (T:1.00mm)
TOLERANCE UNSPECIFIED ±0.05mm



A1	GND	B12	GND
A2	SSTXP1	B11	SSRXP1
A3	SSTXN1	B10	SSRXN1
A4	VBUS	B9	VBUS
A5	CC1	B8	SBU2
A6	DP1	B7	DN2
A7	DN1	B6	DP2
A8	SBU1	B5	CC2
A9	VBUS	B4	VBUS
A10	SSRXN2	B3	SSTXN2
A11	SSRXP2	B2	SSTXP2
A12	GND	B1	GND
PIN	SIGNAL NAME	PIN	SIGNAL NAME

6	COVER	LCP E130i	BLACK	1PCS
5	HOUSING	LCP E130i	BLACK	1PCS
4	SHELL	SUS304 T=0.30	NI PLATED	1PCS
3	SHIELDING PLATE	SUS304	---	1PCS
2	SPRING	SUS301 T=0.10	---	1PCS
1	CONTACT	C2680	Au/Ni Plated	1SET
NO.	DESCRIPTION	MATERIAL	REMARKS	QTY

TOLERANCE		NAME(INTENDED USE) CUSTOMER DRAWING	WFD 深圳市旺富达电子有限公司 conn SHEN ZHEN WFD ELECTRONICS CO.,LTD
X.X ±0.30	X.* ± 2*	PART NO.	
.XX ±0.20	.X* ± 1*	USB-CF024LH-LT1045SCW	TITLE: C F 24P直立式 长体 CONN.
.XXX ±0.10	.XX* ±0.5*	APPD: DAVID	DRAWG NO. UHO-022
UNITS mm		CHED: SIMON	SCALE SHEET REV. 1:1 1/1 A
MATERILA		DRAW: Liu Miao	
FINISH			