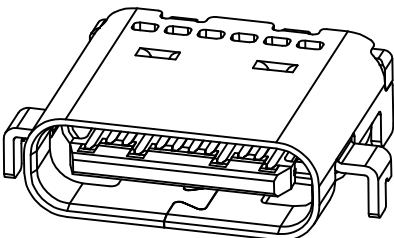
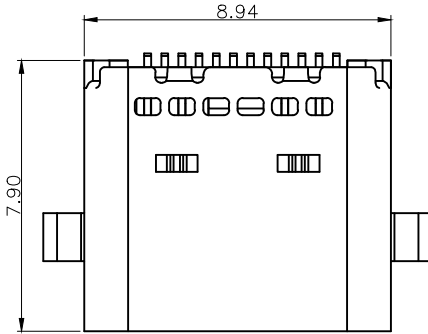
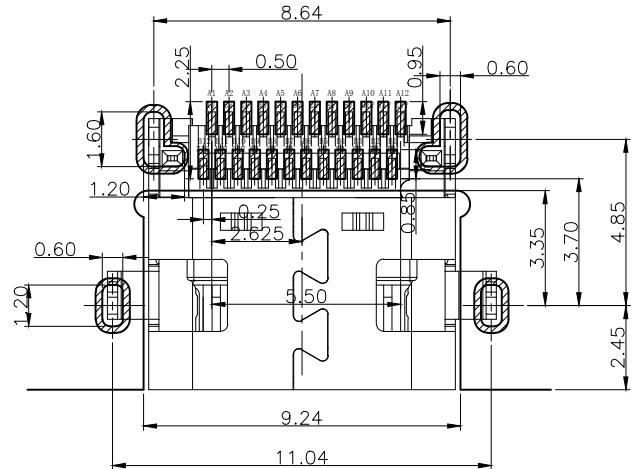
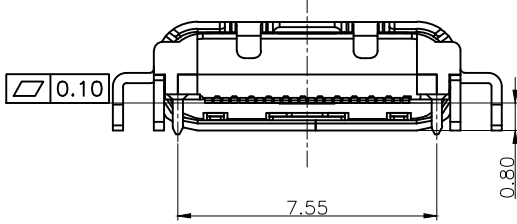
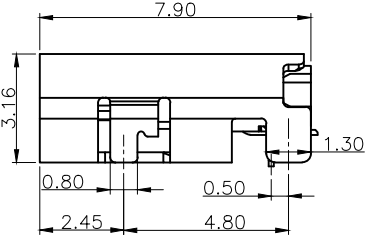
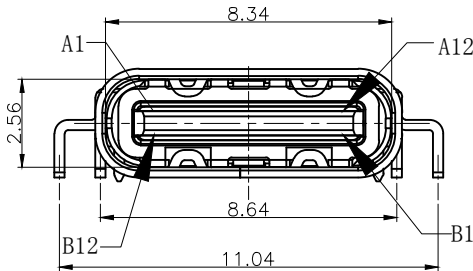


REV.	ECN NO.	DESCRIPTION	DRAW	APPD.	DATE
A	---	新版本发行			2019.07.04

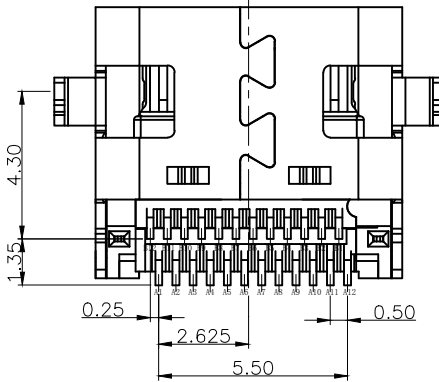


- NOTES:
SPECIFICATION:
- CURRENT RATING: 5.0A MAX
 - VOLTAGE: 100 VAC
 - TEMPERATURE RANGE: -30 °C ~ 85 °C
 - CONTACT RESISTANCE: 40 MILLIONHM MAX
 - INSULATION RESISTANCE: 100 MEGOHMS MIN.
 - INSERTION FORCE : 5N~20N
 - UNMATING FORCE: 8N~20N
 - DURABILITY: 10,000 CYCLES



CONNECTOR FRONT EDGE

RECOMMENDED P.C.B. LAYOUT
TOLERANCE UNSPECIFIED ±0.05mm

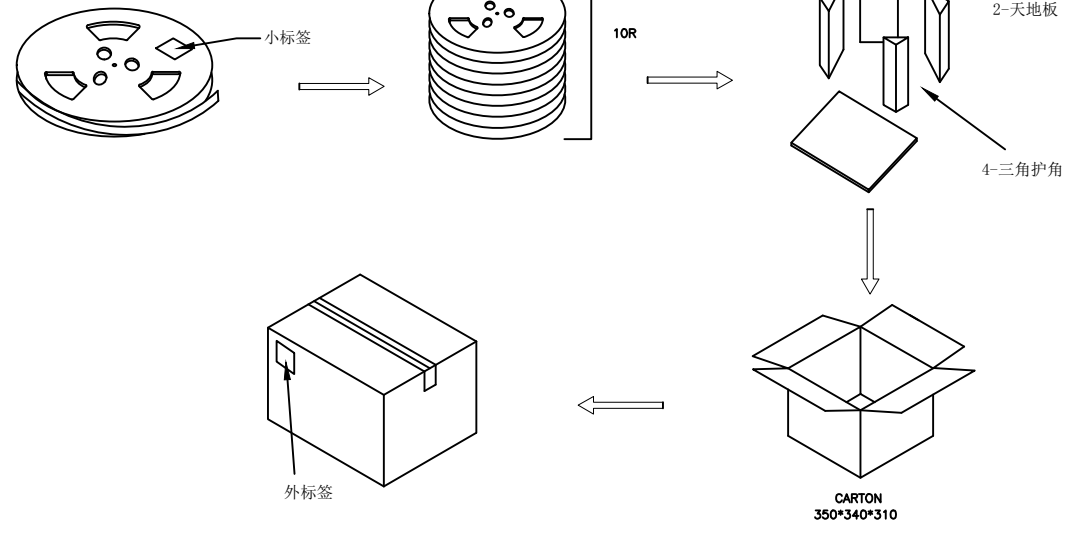
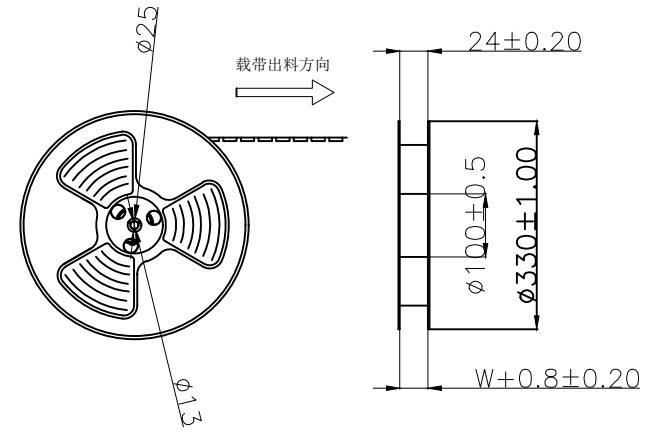
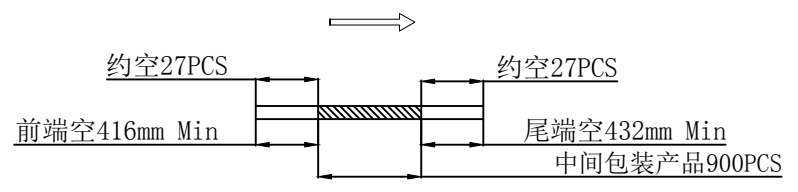
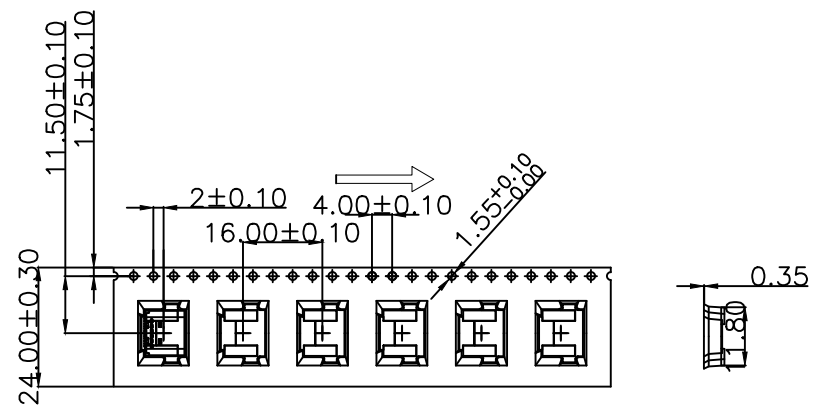


A1	GND	B12	GND
A2	SSTXP1	B11	SSRXP1
A3	SSTXN1	B10	SSRXN1
A4	VBUS	B9	VBUS
A5	CC1	B8	SBU2
A6	DP1	B7	DN2
A7	DN1	B6	DP2
A8	SBU1	B5	CC2
A9	VBUS	B4	VBUS
A10	SSRXN2	B3	SSTXN2
A11	SSRXP2	B2	SSTXP2
A12	GND	B1	GND
PIN	SIGNAL NAME	PIN	SIGNAL NAME

5	SHELL	SUS304-1/2H	NI Plated	1PCS
4	SPRING	SUS304-1/2H		1PCS
3	SHIELDING PLATE	SUS301-1/2H	NI Plated	1PCS
2	CONTACT	C7025	Au/Ni Plated	1SET
1	HOUSING	LCP E130I	BLACK	1PCS
NO.	DESCRIPTION	MATERIAL	REMARKS	QTY

TOLERANCE		NAME(INTENDED USE) CUSTOMER DRAWING	WFD 深圳市旺富达电子有限公司 conn SHEN ZHEN WFD ELECTRONICS CO.,LTD		
X.X ±0.30	X.* ± 2*	PART NO.	TITLE: USB C F 双排沉板0.8 CONN.		
.XX ±0.20	.X* ± 1*	USB-CF024LH-CB0879N		DRAWG NO.	UH0-004
.XXX ±0.10	.XX* ±0.5*	APPD: DAVID			
UNITS	mm	CHED: SIMON			
MATERILA		DRAW: LIU MIAO			
FINISH			SCALE	SHEET	REV.
			1:1	1/1	A

REV.	ECN NO.	DESCRIPTION	DRAW	APPD.	DATE
A	---	新版发行			2020.01.04



NOTE:
 1. QUANTITY/REEL: 900 PCS
 数量/卷: 900 PCS
 QUANTITY/INNER CARTON: 900 X 10 = 9000 PCS
 数量/箱: 900 X 10 = 9000 PCS
 2. FREE 27 CAVE IN THE FRONT CARRIER ADN FREE 27 CAVE IN THE END CARRIER.
 包装带内圈空27格, 外圈空27格.

TOLERANCE		NAME (INTENDED USE) 包装规范	WFD 深圳市旺富达电子有限公司 conn SHEN ZHEN WFD ELECTRONICS CO., LTD		
X. ±0.20	X.* ± 2°	PART NO.	TITLE:		
.X ±0.15	.X* ± 1°	USB-CF024LH-CB0879N	C TYPE 沉板、双排式母座成品---包装规范		
.XX ±0.10	.XX* ±0.5°	APPD: DAVID	DRAWG NO. PK-UH0-001		
UNITS	mm	CHED: SIMON	SCALE SHEET REV.		
MATERILA		DRAW: LIU MIAO	NONE 2/2 A		
FINISH					