

1

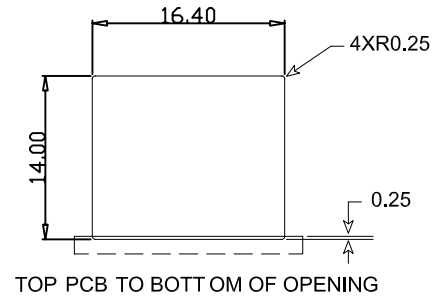
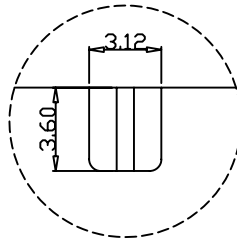
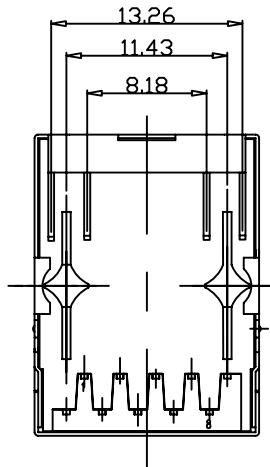
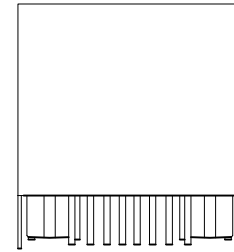
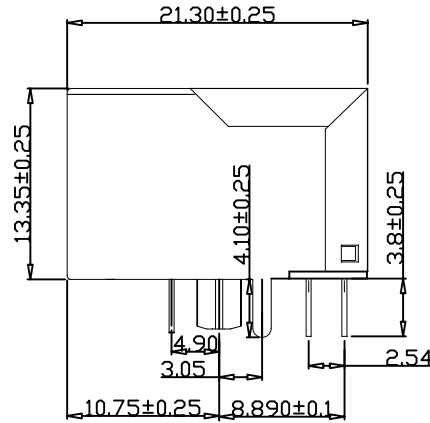
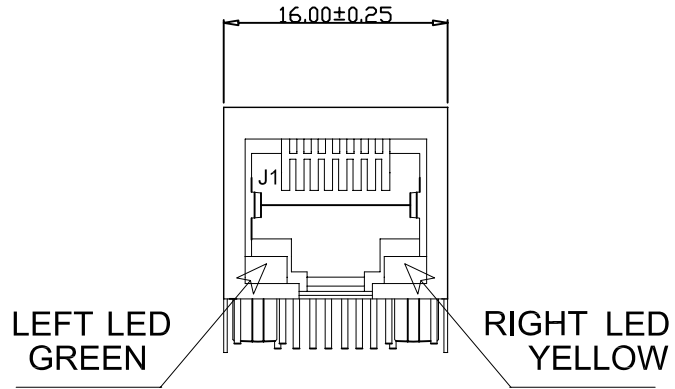
2

3

4

REV	ECN NO.	DATE

1. MECHANICAL DIMENSIONS :



RoHS Compliant

TOLERANCES 公差		DATE 日期	2011-03-22		WFD CONN	深圳市旺富达电子有限公司 SHEN ZHEN WFD ELECTRONICS CO., LTD	
mm		MATERIAL 材质				TITEL 品名	RJ45带滤波器无弹左绿右黄 百兆
.0± 0.30	±	FINISH 电镀			PART NO. 料号	WFD111B01BB1	
.00± 0.25	±	SCALE 比例	1:1	UNIT 单位	mm	SIZE A4	
.000± 0.10	±	THIRD ANGLE PROJECTION			Designed 设计	Liu Miao	Checked 审核
ANGLES ± 1°				Approved 核准			SHEET 1 OF 3

1

2

3

4

A

B

C

D

A

B

C

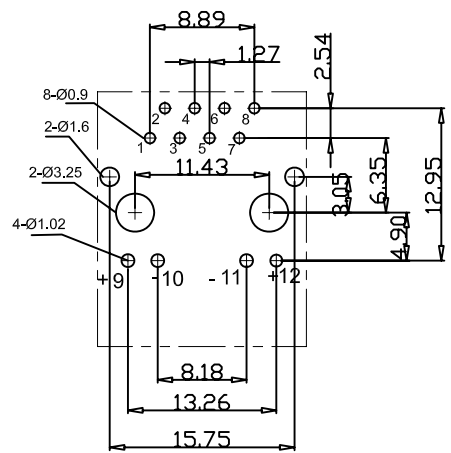
D

REV	ECN NO.	DATE

2. PCB LAYOUT :

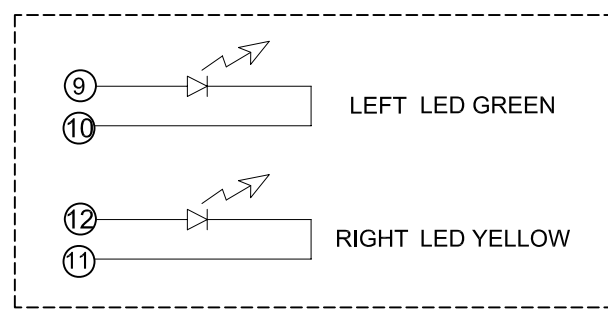
3. LED Configuration :

FRONT VIEW



viewed from PCB Component side

SUGGESTED PCB LAYOUT
(TOP VIEW)



RoHS Compliant

TOLERANCES 公差		DATE 日期	2011-03-22		WFD CONN 深圳市旺富达电子有限公司 SHEN ZHEN WFD ELECTRONICS CO., LTD	
mm		MATERIAL 材质			TITEL 品名	RJ45带滤波器无弹左绿右黄 百兆
.0± 0.30	±	FINISH 电镀			PART NO. 料号	WFD111B01BB1
.00± 0.25	±	SCALE 比例	1:1	UNIT 单位	mm	SIZE A4
.000± 0.10	±	THIRD ANGLE PROJECTION			Designed 设计	Liu Miao
ANGLES ± 1°		Checked 审核			Approved 核准	SHEET 2 OF 3

1

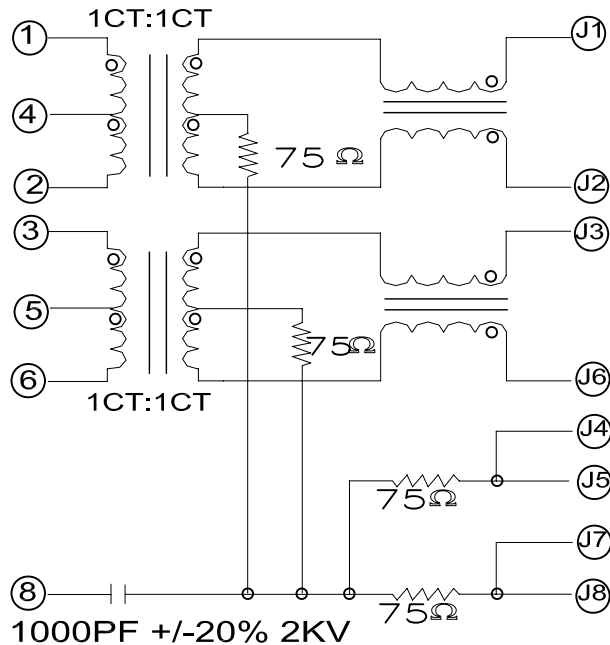
2

3

4

REV	ECN NO.	DATE

4. SCHEMATIC :



5. NOTES:

ELECTRICAL: CURRENT RATING: 1.5A
 VOLTAGE RATING: 125V AC
 INSULATION RESISTANCE: 500MΩ Mini
 WITHSTAND VOLTAGE: AC 1500 V RMS 50Hz OR 60Hz 1 Min
 CONTACT RESISTANCE: 20mΩ Max

TR: 1:1 ±3%
 INDUCTANCE: 350uH MIN 0.1V, 100KHZ, 8mA DC BIAS
 LEAKAGE INDUCTANCE: 0.35uH MAX 1MHZ
 DCR: 1.2OHMS
 DIELECTRIC WITHSTAND: 1500VAC

INSERTION FORCE: 2 CONTACTS----350g 4 CONTACTS----500g
 6 CONTACTS----750g 8 CONTACTS----900g

MECHANICAL: 10 CONTACTS----1050g
 RETENTION STRENGTH: 7.7Kg BETWEEN JACK AND PLUG
 DURABILITY: 750 MATING CYCLES Mini

HOUSING: 1) GLASS FILLED PA66 (UL 94V-0)
 2) GLASS FILLED PA46 (UL 94V-0)
 3) GLASS FILLED PBT (UL 94V-0)

MATERIAL: SPRING WIRE: 1) 0.45*0.35mm DIA PHOSPHOR BRONZE GOLD PLATING OVER NICKEL
 2) 0.35mm THICKNESS PHOSPHOR BRONZE ALLOY SELECTIVE GOLD PLATING OVER NICKEL

SHIELDING: 0.20mm THICKNESS COPPER ALLOY WITH TIN PLATED
 GOLD PLATING: 3u", 6u", 15u", 30u", 50u"

WORKING TEMPERATURE: -40 °C~70 °C

ELECTRICAL SPECIFICATIONS AT 25°C

Insertion Loss dB max	Return Loss dB min			Crosstalk (dB TYP)			Common Mode Rejection (dB TYP)		Hipot (vrms)
	1-30MHz	30-60MHz	60-80MHz	1-30MHz	30-60MHz	60-80MHz	1-50MHz	50-150MHz	
-1.0	-18	-16	-12	-40	-35	-30	-30	-20	1500

RoHS Compliant

TOLERANCES 公差		DATE 日期	2011-03-22	WFD CONN		深圳市旺富达电子有限公司 SHEN ZHEN WFD ELECTRONICS CO., LTD	
mm .0± 0.30	±	MATERIAL 材质		TITEL 品名	RJ45带滤波器无弹左绿右黄百兆		
.00± 0.25	±	FINISH 电镀		PART NO. 料号	WFD111B01BB1		SIZE A4
.000± 0.10	±	SCALE 比例	1:1	UNIT 单位	mm	Checked 审核	Approved 核准
ANGLES ± 1°		Designed 设计	Liu Miao	SHEET 3 OF 3			
THIRD ANGLE PROJECTION							

1

2

3

4