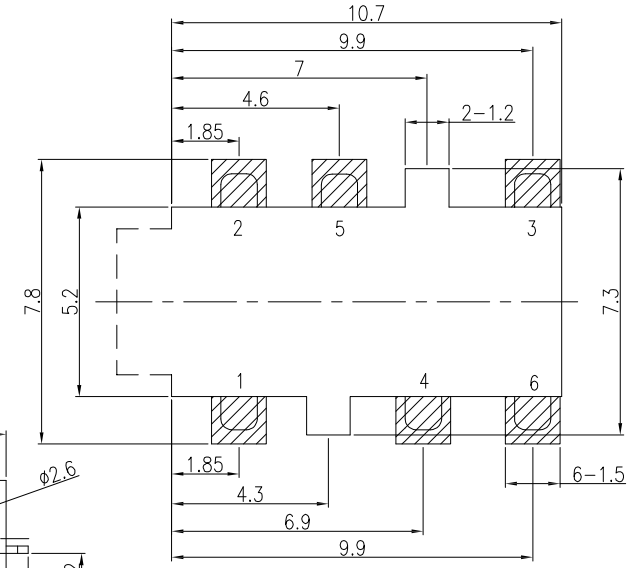
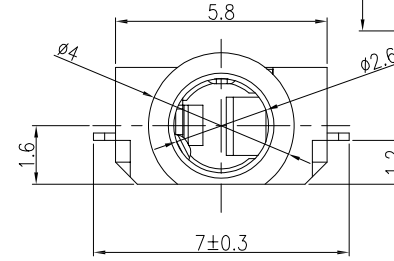
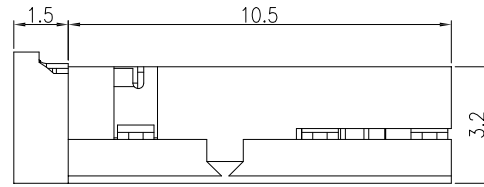
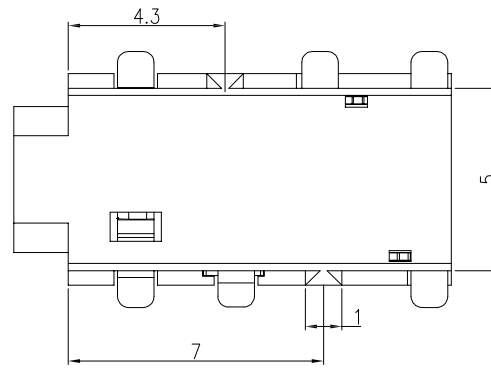
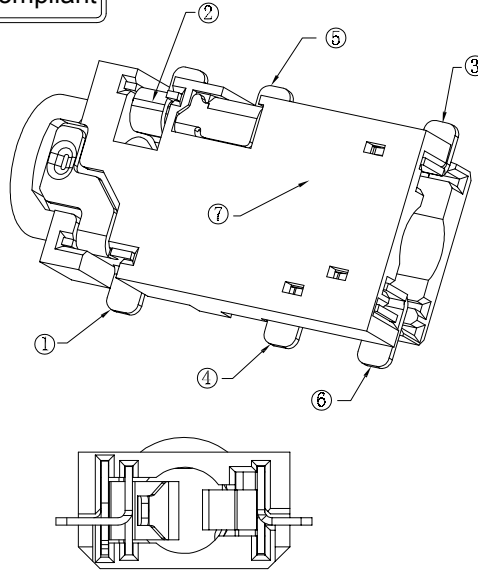
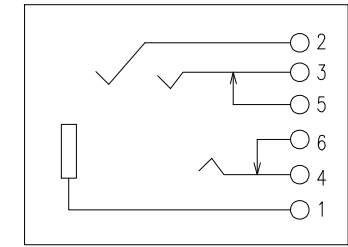


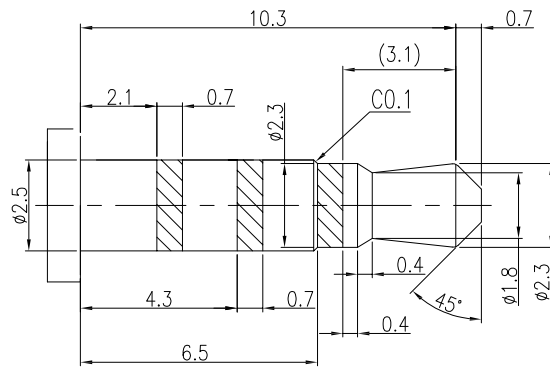
RoHS Compliant



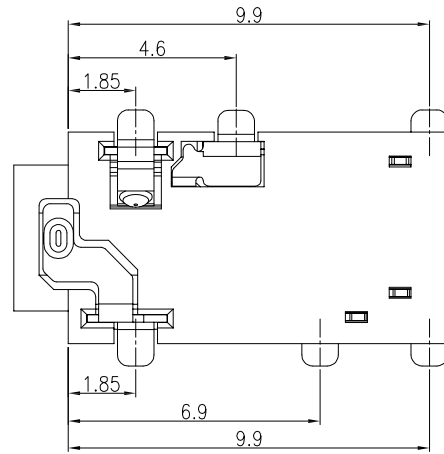
PCB LAYOUT TOP VIEW



CIRCUIT DIAGRAM



Mate Plugs Dimensions



NO.	DESCRIPTION	MATERIAL	REMARKS	QTY
7	HOUSING	PPA	Black	1
6	TERMINAL-6	PHOSPHOR BRONZE (C5210R-EH) T=0.20	Au-plated	1
5	TERMINAL-5	PHOSPHOR BRONZE (C5210R-EH) T=0.20	Au-plated	1
4	TERMINAL-4	PHOSPHOR BRONZE (C5210R-EH) T=0.20	Au-plated	1
3	TERMINAL-3	PHOSPHOR BRONZE (C5210R-EH) T=0.20	Au-plated	1
2	TERMINAL-2	PHOSPHOR BRONZE (C5210R-EH) T=0.20	Au-plated	1
1	TERMINAL-1	PHOSPHOR BRONZE (C5210R-EH) T=0.20	Au-plated	1

UNLESS OTHERWISE,  
GENERAL TOLERANCE:  
X. xxx ±0.10  
X. xx ±0.20  
X. x ±0.30  
X. ±0.50  
ANGULAR:  
X. xx ±1°  
X. x ±3°  
X. ±5°

**WFD<sub>CONN</sub>** 深圳市旺富达电子有限公司  
Shenzhen WFD Electronics Co.Ltd..

TITLE:	P/N: MPJ-06C26-06-G-001
MODEL:	
DRAW NO.:	
THIRD ANGLE PROJECTION	UNIT: mm
SCALE: 1:1	SIZE: A4
	SHEET: 1/1

ECN NO.	REV.	DESCRIPTION	DATE	CHANGE	DESIGN	DATE
N/A	A	NEW DRAWING	2018.10.08	Liu Miao	Liu Miao	2018.10.08
					SIMON	2018.10.08
					DAVID	2018.10.08