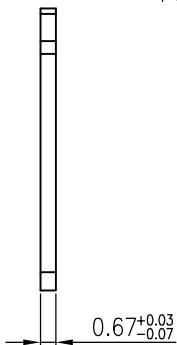
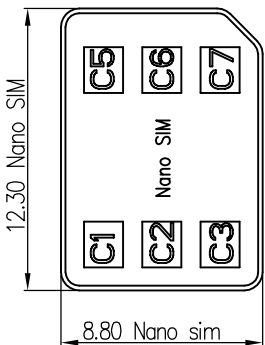
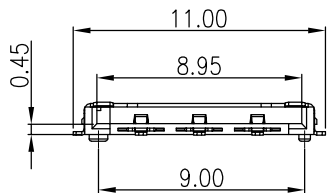
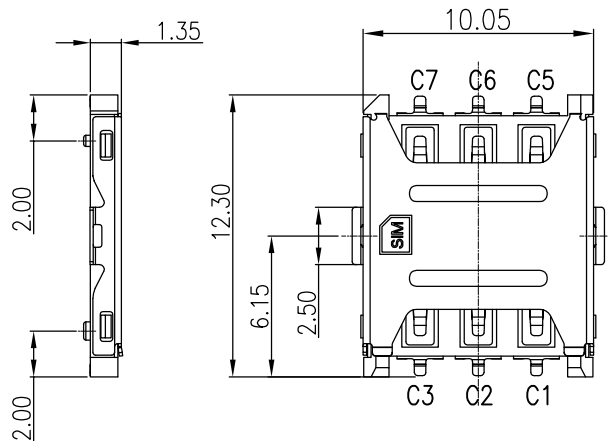
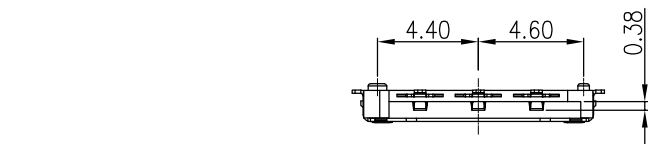
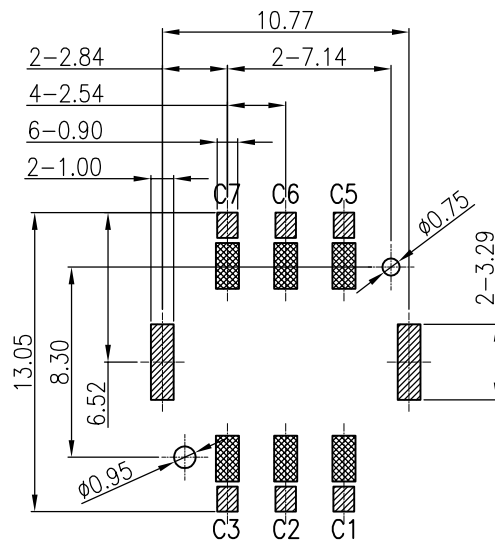
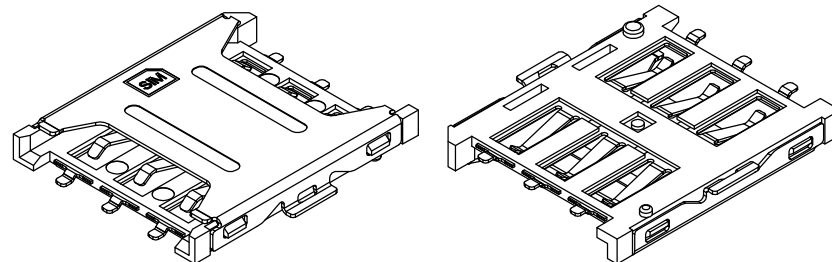
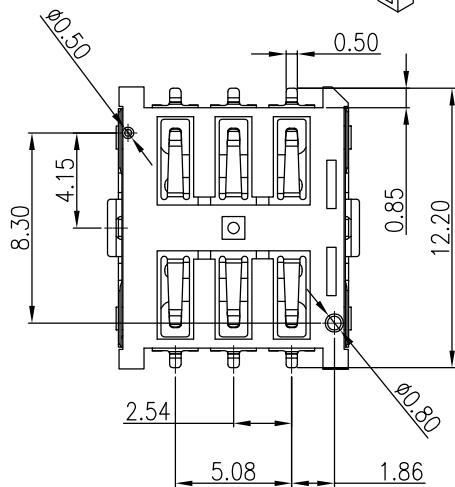
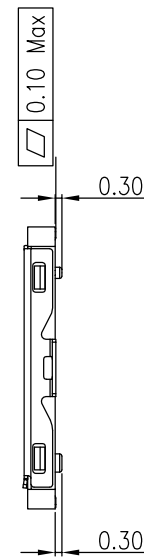


RoHS

REV.	EC#	DESCRIPTION	DATE	DRAWING	CHECKED	APPROVED
A0		NEW RELEASE	03/05'21	LIU MIAO	SIMON	DAVID



SIM pin assignment	
PIN#	Name
C1	VCC供电电压
C2	RST重置
C3	CLK时钟
C5	GND接地
C6	VPP程序电压
C7	I/O输入输出



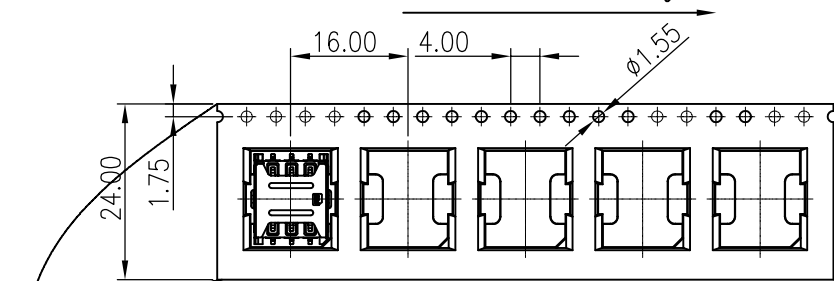
RECOMMENDED PCB LAYOUT
 PATTERN PROHIBITION AREA

NOTES:
 1.MATERIAL:
 1-1.Insulator:High Temperature Thermoplastic, UL94V-0; Color Black.
 1-2.terminal:Copper Alloy.
 1-3.Shell:Stainless Steel.
 2.PLATING:
 2-1.Contact:Plated 50u Ni Overall Contact Au 1u,
 2-2.Shell:Plated 50u Ni Overall,PAD Au 1u
 3.SPECIALITY:
 3-1.Current Rating:0.5mA AC/DC max.
 3-2.Voltage Rating:125V AC/DC
 3-3.Ambient Temperature Range:-20°C~+60°C
 3-4.Storage Temperature Range:-40°C~+70°C
 3-5.Ambient Humidity Range:95% R.H. Max.
 3-6.Contact Resistance:100mΩ max.
 3-7.Insulation Resistance:1000MΩ min./500VDC
 3-8.Mating Cycles:10,000 Insertions
 3-9.Reflow peak temp.: 260°C±5°C, 3~5 S
 3-10.Mating Cycles:3,000 Insertions Min
 4.PLEASE CONTACT LQ SALES REPRESENTATIVE TO VERIFY PRODUCTDETAILS & AVAILABILITY

Unless otherwise specified tolerances are		WFD_{CONN} 深圳市旺富达电子有限公司 SHEN ZHEN WFD ELECTRONICS CO., LTD			
X.X	±0.30	NAME	DATE	DRAW NAME:	
X.XX	±0.20	DWN	LIU MIAO	03/05'21	NANO-SIM 卡座 6Pin 1.35H 有定位柱(客户图)
X.XXX	±0.10	CHK	SIMON	P/N : MPS-0606-0135001	
X'	±3.0'	APVD	DAVID		
X.X'	±2.0'				
Third Angle Project		FINISH		UNIT	SCALE
		DWG NO.	C-1070025110-00	mm	1:1
		REV	A0	WEIGHT	SHEET
					1 OF 2

RoHS

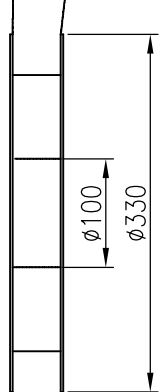
User Direction of Unreeling



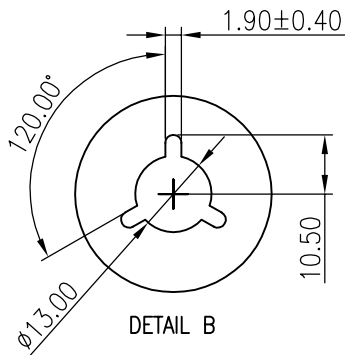
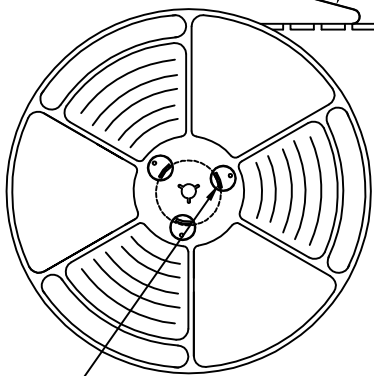
COVER TAPE PEELING ANGLE:165°~180°
PEELING FORCE:20~130g

CARRIER TAPE

User Direction of Unreeling



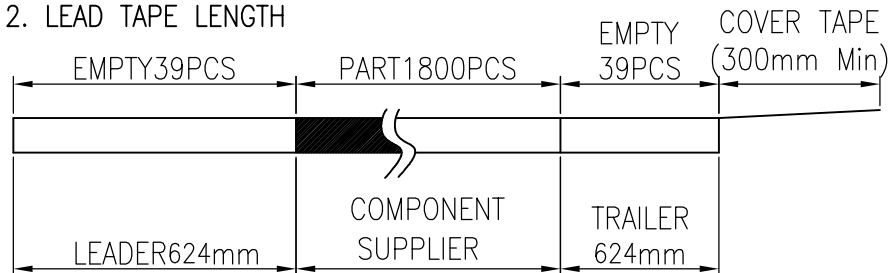
DETAIL B



NOTES

1. NUMBER OF CONNECTORS:1800PCS/REEL

2. LEAD TAPE LENGTH

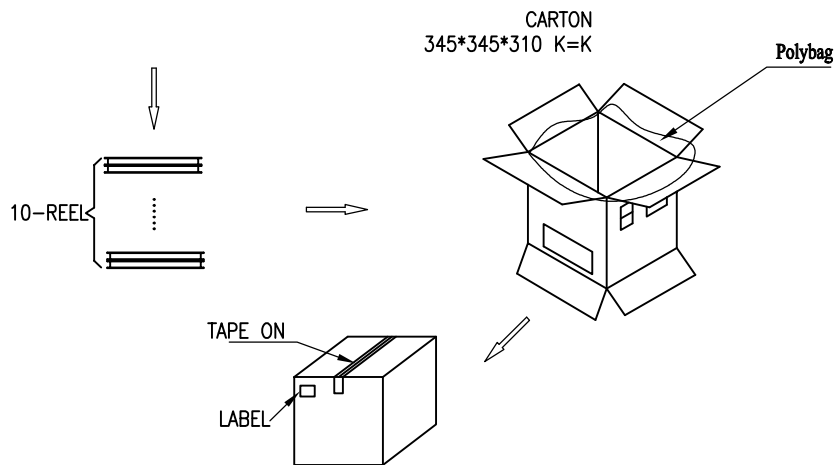


3. QUANTITY:18000PCS/CARTON

4. WEIGHT :

3.1 NET WEIGHT : Kg

3.2 GROSS WEIGHT : Kg



Unless otherwise specified tolerances are

X.X	±0.30
X.XX	±0.20
X.XXX	±0.10
X'	±3.0'
X.X'	±2.0'

WFDconn 深圳市旺富达电子有限公司
SHEN ZHEN WFD ELECTRONICS CO., LTD

NAME	DATE	DRAW NAME: NANO-SIM 卡座 6Pin 1.35H 有定位柱(客户图)
DWN	03/05'21	
CHK	SIMON	
APVD	DAVID	P/N : MPS-0603-0135001

Third Angle Project	FINISH	C-1070025110-00	UNIT	SCALE	WEIGHT	REV	SHEET
	DWG NO.		mm	1:1		A0	2 OF 2