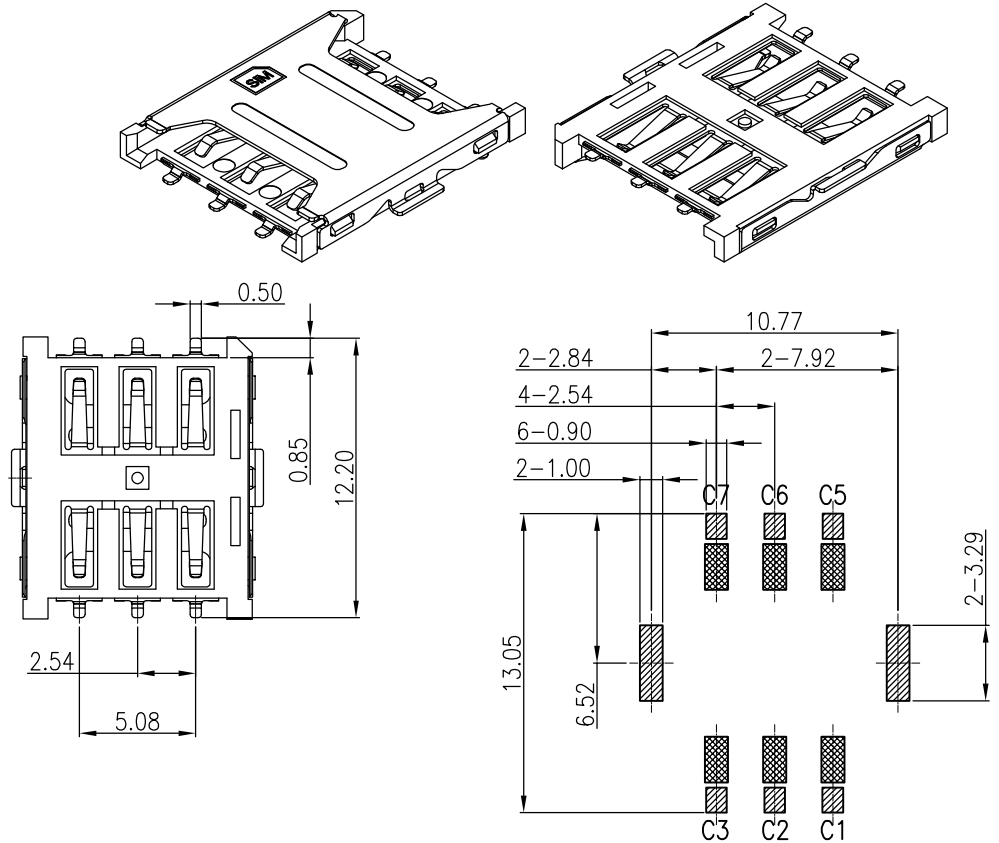
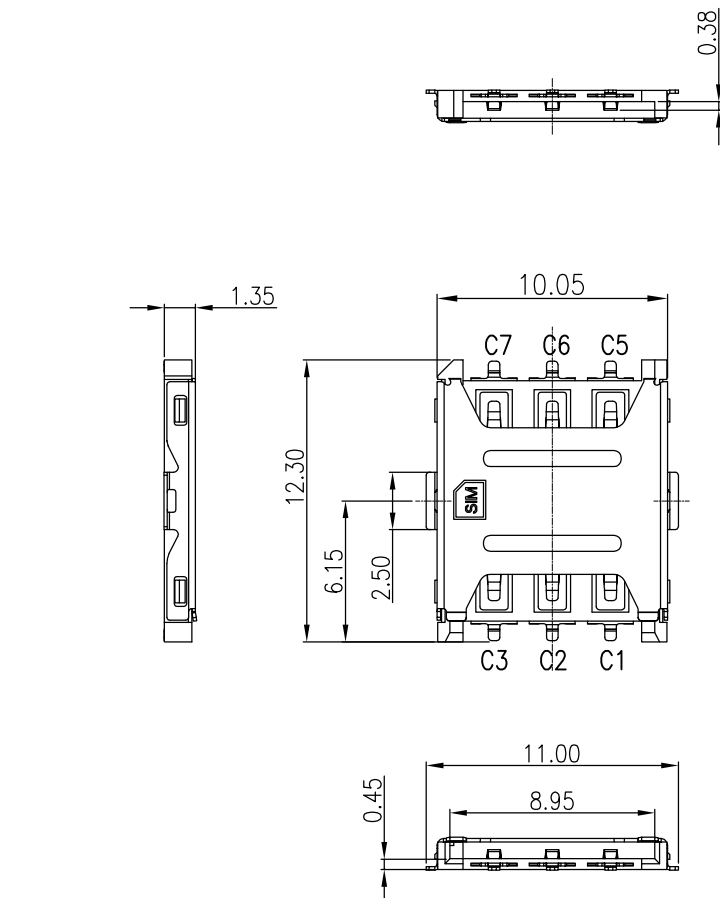
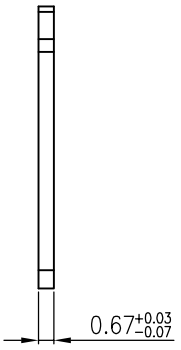
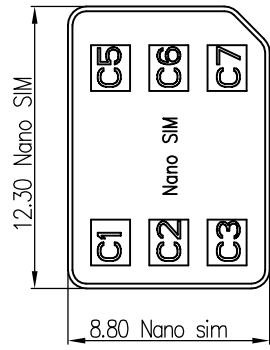


RoHS

REV.	EC#	DESCRIPTION	DATE	DRAWING	CHECKED	APPROVED
A0		NEW RELEASE	03/05'21	LIU MIAO	SIMON	DAVID



RECOMMENDED PCB LAYOUT  
 PATTERN PROHIBITION AREA



SIM pin assignment	
PIN#	Name
C1	VCC供电电压
C2	RST重置
C3	CLK时钟
C5	GND接地
C6	VPP程序电压
C7	I/O输入输出

NOTES:  
 1.MATERIAL:  
 1-1.Insulator:High Temperature Thermoplastic, UL94V-0; Color Black.  
 1-2.terminal:Copper Alloy.  
 1-3.Shell:Stainless Steel.  
 2.PLATING:  
 2-1.Contact:Plated 50u Ni Overall Contact Au 1u,  
 2-2.Shell:Plated 50u Ni Overall,PAD Au 1u  
 3.SPECIALITY:  
 3-1.Current Rating:0.5mA AC/DC max.  
 3-2.Voltage Rating:125V AC/DC  
 3-3.Ambient Temperature Range:-20°C~+60°C  
 3-4.Storage Temperature Range:-40°C~+70°C  
 3-5.Ambient Humidity Range:95% R.H. Max.  
 3-6.Contact Resistance:100mΩ max.  
 3-7.Insulation Resistance:1000MΩ min./500VDC  
 3-8.Mating Cycles:10,000 Insertions  
 3-9.Reflow peak temp.: 260°C±5°C, 3~5 S  
 3-10.Mating Cycles:3,000 Insertions Min  
 4.PLEASE CONTACT LQ SALES REPRESENTATIVE TO VERIFY PRODUCTDETAILS & AVAILABILITY

Unless otherwise specified tolerances are	
X.X	±0.30
X.XX	±0.20
X.XXX	±0.10
X'	±3.0'
X.X'	±2.0'

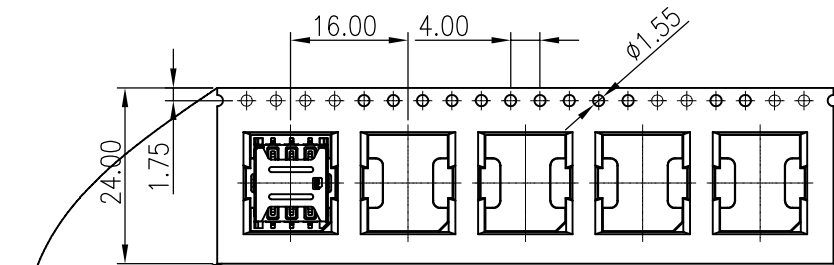
**WFD**CONN 深圳市旺富达电子有限公司  
 SHEN ZHEN WFD ELECTRONICS CO., LTD

NAME	DATE	DRAW NAME:
DWN	LIU MIAO	NANO-SIM 卡座 6Pin 1.35H 无定位柱(客户图)
CHK	SIMON	
APVD	DAVID	P/N : MPS-0603-0135002

Third Angle Project	FINISH	UNIT	SCALE	WEIGHT	REV	SHEET
	DWG NO.	C-1070035110-00	mm	1:1	A0	1 OF 2

RoHS

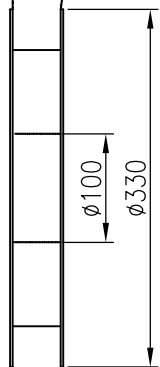
User Direction of Unreeling



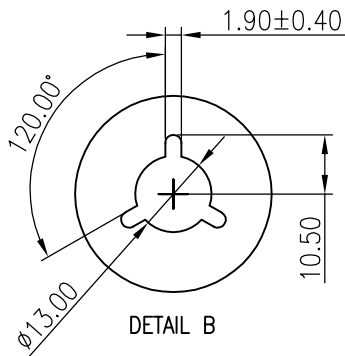
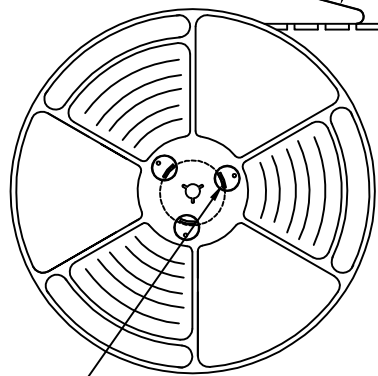
COVER TAPE PEELING ANGLE:165°~180°  
PEELING FORCE:20~130g

CARRIER TAPE

User Direction of Unreeling



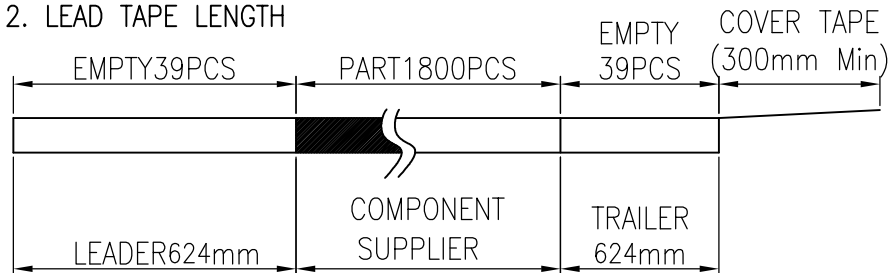
DETAIL B



NOTES

1. NUMBER OF CONNECTORS:1800PCS/REEL

2. LEAD TAPE LENGTH

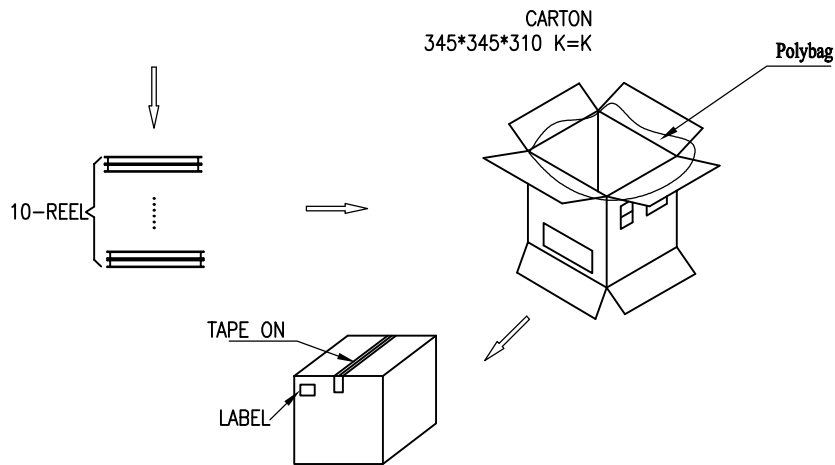


3. QUANTITY:18000PCS/CARTON

4. WEIGHT :

3.1 NET WEIGHT : Kg

3.2 GROSS WEIGHT : Kg



Unless otherwise specified tolerances are

X.X	±0.30
X.XX	±0.20
X.XXX	±0.10
X'	±3.0'
X.X'	±2.0'

**WFDconn** 深圳市旺富达电子有限公司  
SHEN ZHEN WFD ELECTRONICS CO., LTD

NAME	DATE	DRAW NAME:
DWN LIU MIAO	03/05'21	NANO-SIM 卡座 6Pin 1.35H 无定位柱(客户图)
CHK SIMON		P/N : MPS-0603-0135002
APVD DAVID		

Third Angle Project	FINISH	C-1070035110-00	UNIT	SCALE	WEIGHT	REV	SHEET
	DWG NO.		mm	1:1		A0	2 OF 2