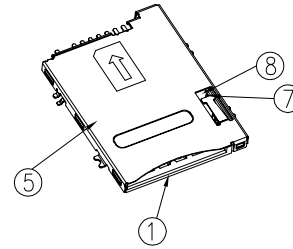
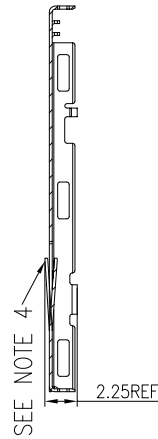
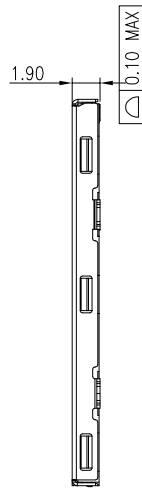
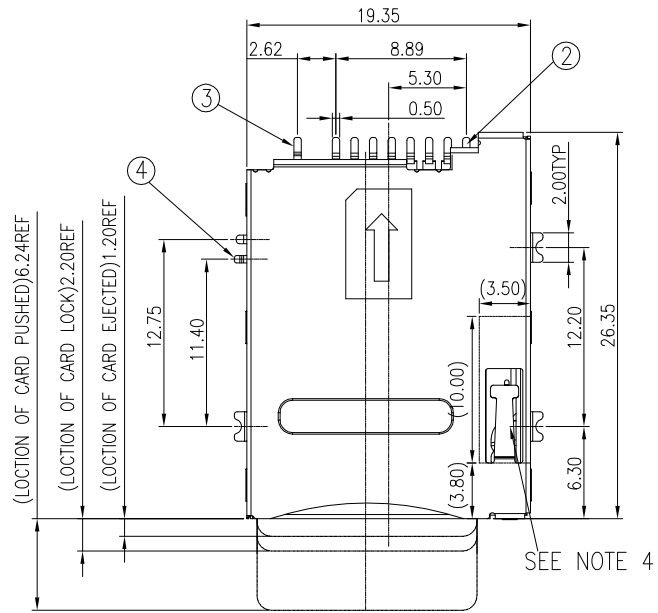
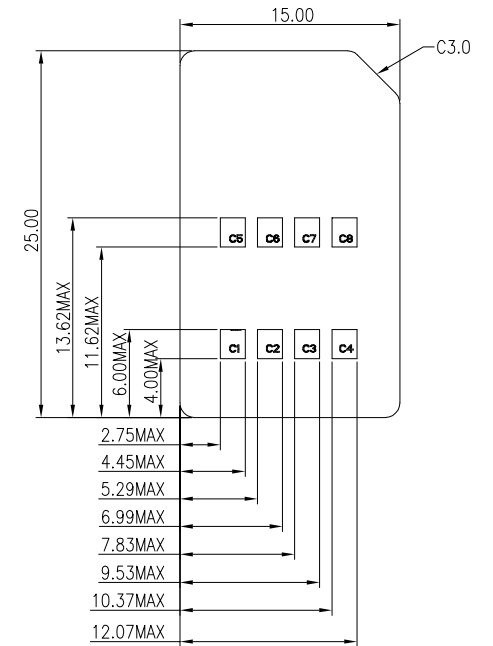


RoHS

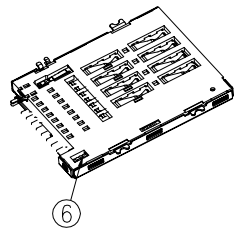
REV.	EC#	DESCRIPTION	DATE	DRAWING	CHECKED	APPROVED
A0		导入ERP料号	03/05'21	LIU MIAO	SIMON	DAVID



PIN NO.	Description
C1	VCC
C2	RST
C3	CLK
C4	Reserved
C5	GND
C6	VPP
C7	I/O
C8	Reserved



APPLICABLE CARD SIZE
THICKNESS:0.76±0.08MM

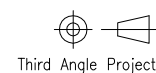


NO.	DESCRIPTION	Q'TY	Material
8	SLIDER	1	THERMOPLASTIC RATING UL94V-0
7	LINK	1	STAINLESS STEEL
6	SPRING	1	SWP
5	SHELL	1	STAINLESS STEEL
4	DETECT PIN2	1	COPPER ALLOY
3	DETECT PIN1	1	COPPER ALLOY
2	TERMRAL	1	COPPER ALLOY
1	HOUSING	1	LCP+50%G.F.U.L94V-0

Unless otherwise specified tolerances are	
X.X	±0.30
X.XX	±0.20
X.XXX	±0.10
X°	±3.0°
X.X°	±2.0°

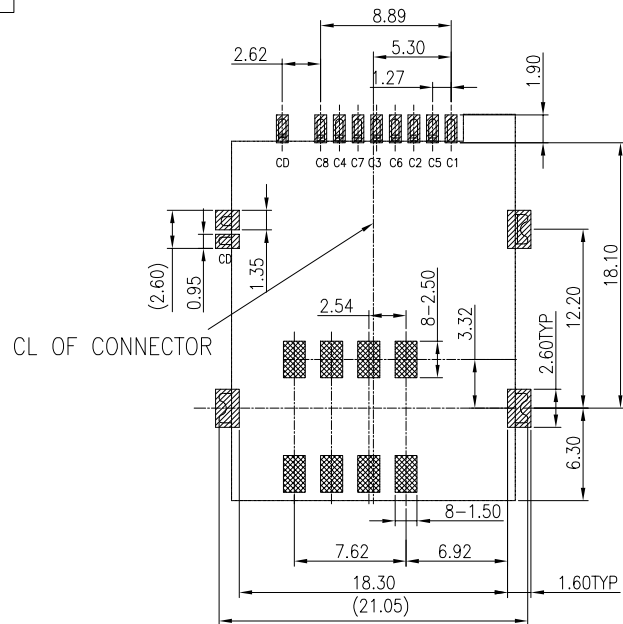
WFDconn 深圳市旺富达电子有限公司
SHEN ZHEN WFD ELECTRONICS CO., LTD

DRAW NO.	DATE	DRAW NAME:
DWN	LIU MIAO	PUSH-PUSH 8PIN SIM CARD CONN WITH DETECT PIN客户图
CHK	SIMON	P/N : MPS-0804-0190001
APVD	DAVID	



FINISH	UNIT	SCALE	WEIGHT	REV	SHEET
DWG NO.	C-1070046510-00	mm	1:1	A1	1 OF 3

RoHS



PATTERN PROHIBITION AREA

RECOMMENDED PCB LAYOUT
ALL TOLERANCE $\pm 0.05\text{MM}$



CARD INSERTING POSITION	OPEN
NO CARD POSITION	CLOSED

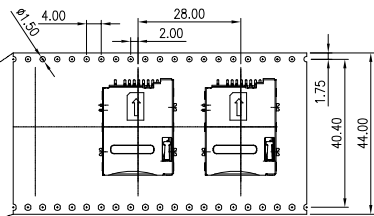
NOTES:

1. FINISH:
 - 1.1 CONTACT:
50 μ "MIN NICKEL UNDER PLATED, 15 μ "MIN GOLD PLATING ON CONTACT AREA, 100 μ "MATTE PLATING ON SOLDERING AREA
 - 1.2 SHELL:
50 μ "NICKEL UNDER PLATED;
2 μ "MIN GOLD PLATING ON SOLDERING AREA.
 - 1.3 DETECT PIN:
50 μ "MIN NICKEL UNDER PLATED, 5 μ "MIN GOLD PLATING ON CONTACT AREA, 100 μ "MATTE PLATING ON SOLDERING AREA
2. SOLDER TAIL COPLANARITY: 0.08MM MAX;
3. COMPLIANCE WITH HSF DIRECTIVE.
4. MAXIMAL TOTAL HEIGHT WHEN INSERTING SIM CARD ,NEED AVOID THIS AREA
5. SPECIALITY:
 - 2.1 RATED CURRENT: 0.5A
 - 2.2 RATED VOLTAGE: 12V
 - 2.3 CONTACT RESISTANCE: 50m Ω MAX
 - 2.4 INSULATION RESISTANCE: 1000M Ω MIN 500V DC
 - 2.5 DIELECTRIC WITHSTANDING VOLTAGE: 500V AC.
 - 2.6 OPERATING CONDITION: TEMPERATURE $-40^{\circ}\text{C} \sim +85^{\circ}\text{C}$;
HUMIDITY 80% R.H MAX
6. METALMASK THICKNESS 0.10MM MIN

Unless otherwise specified tolerances are		WFD_{CONN} 深圳市旺富达电子有限公司 SHEN ZHEN WFD ELECTRONICS CO., LTD							
X.X	± 0.30	DRAW NO.	DATE	DRAW NAME: PUSH-PUSH 8PIN SIM CARD CONN WITH DETECT PIN 客户图					
X.XX	± 0.20								
X.XXX	± 0.10	DWN	LIU MIAO	P/N : MPS-0804-0190001					
X"	$\pm 3.0^{\circ}$	CHK	SIMON						
X.X"	$\pm 2.0^{\circ}$	APVD	DAVID						
 Third Angle Project		FINISH			UNIT	SCALE	WEIGHT	REV	SHEET
		DWG NO.	C-1070046510-00		mm	1:1		A1	2 OF 3

RoHS

User Direction of Unreeling

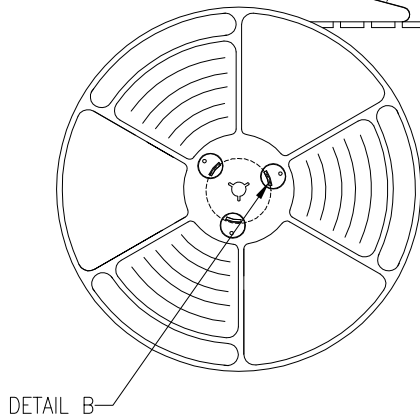


COVER TAPE PEELING ANGLE: 165°~180°

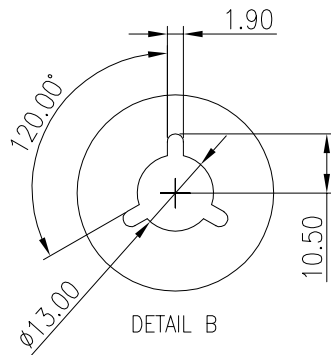
PEELING FORCE: 20~130g

CARRIER TAPE

User Direction of Unreeling



DETAIL B

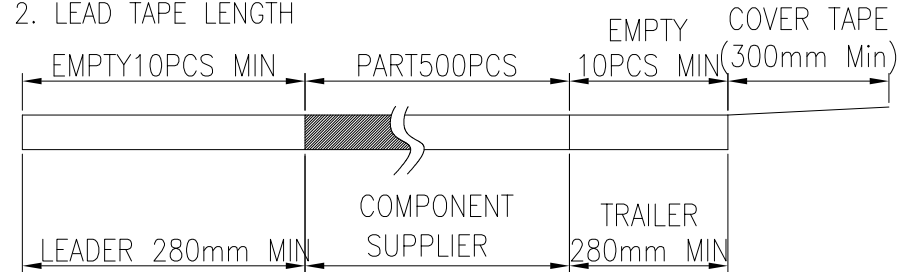


DETAIL B

NOTES

1. NUMBER OF CONNECTORS: 500PCS/REEL

2. LEAD TAPE LENGTH

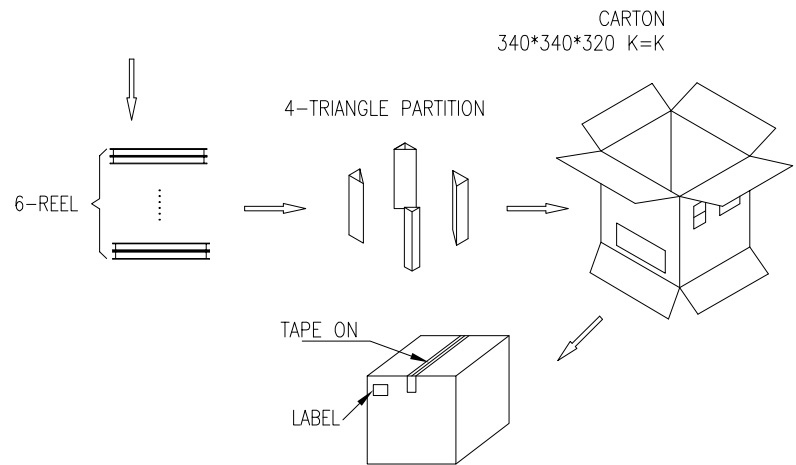


3. QUANTITY: 3000PCS/CARTON

4. WEIGHT :

3.1 NET WEIGHT : Kg

3.2 GROSS WEIGHT : Kg



Unless otherwise specified tolerances are

X.X	±0.30
X.XX	±0.20
X.XXX	±0.10
X°	±3.0°
X.X°	±2.0°

WFDconn 深圳市旺富达电子有限公司
SHEN ZHEN WFD ELECTRONICS CO., LTD

DRAW NO.	DATE	DRAW NAME:
DWN	LIU MIAO	PUSH-PUSH 8PIN SIM CARD CONN WITH DETECT PIN 客户图
CHK	SIMON	P/N : MPS-0804-0190001
APVD	DAVID	

Third Angle Project	FINISH	UNIT	SCALE	WEIGHT	REV	SHEET
	DWG NO.	C-1070046510-00	mm	1:1	A1	3 OF 3