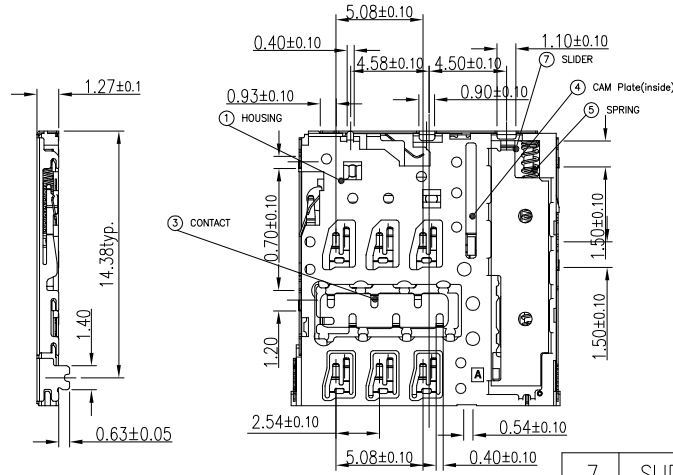
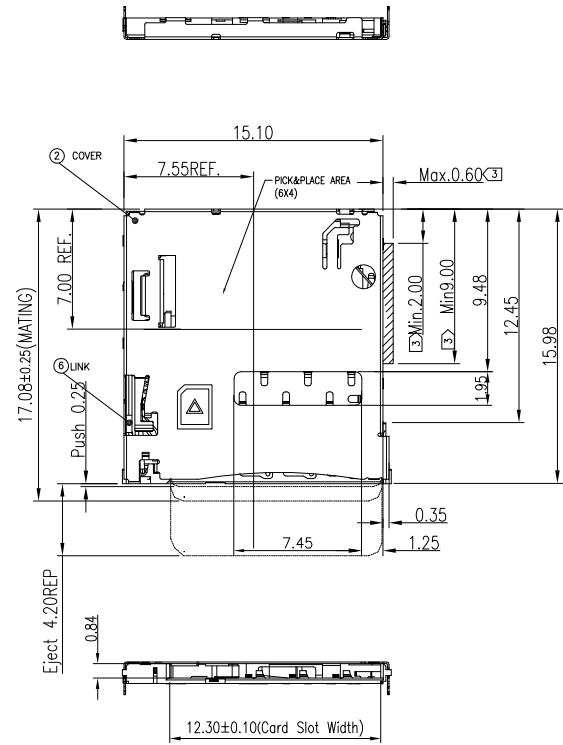


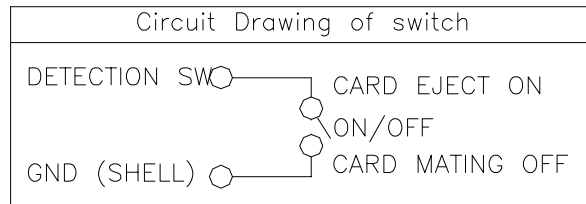
|      |     |             |          |          |         |          |
|------|-----|-------------|----------|----------|---------|----------|
| REV. | EC# | DESCRIPTION | DATE     | DRAWING  | CHECKED | APPROVED |
| A0   |     | NEW RELEASE | 08/11'21 | LIU MIAO | SIMON   | DAVID    |



|     |                   |      |   |
|-----|-------------------|------|---|
| 7   | SLIDER            | 1    | LCP UL94V-0   |
| 6   | LINK              | 1    | STAINLESS STEEL   |
| 5   | SPRING            | 1    | SWP-B   |
| 4   | CAM Plate(inside) | 1    | STAINLESS STEEL   |
| 3   | CONTACT           | 1    | COPPER ALLOY Nickel Barrier<br>Contact: Au 1u" Min over Ni 40~200u"<br>Lead : Au flash 1u" Min over Ni 40~200u" |
| 2   | COVER             | 1    | STAINLESS STEEL<br>Not hold down : Nickel 10~200u"<br>Hold down : Au flash 1u" Min over Ni 10~200u"             |
| 1   | HOUSING           | 1    | LCP UL94V-0   |
| NO. | DESCRIPTION       | Q'TY | Material  |

(NOTE)

1. LEAD Co-planarity :Max 0.10mm
2. No rust, contamination, damage nor deformation effecting on function
3. Switch moving area
4. Non-cumulative tolerance
5. Circuit Drawing of switch



Unless otherwise specified tolerances are

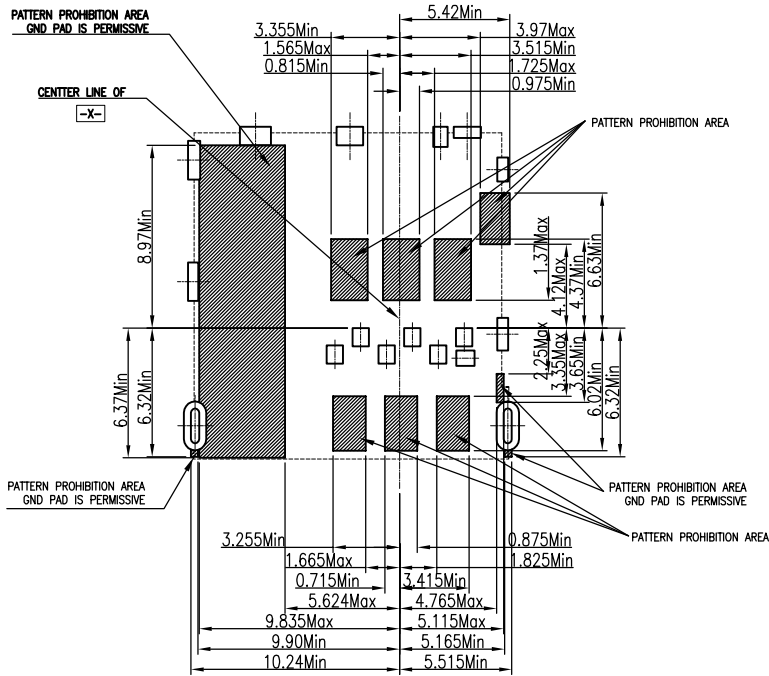
|       |       |
|-------|-------|
| X.X   | ±0.30 |
| X.XX  | ±0.20 |
| X.XXX | ±0.10 |
| X'    | ±3.0' |
| X.X'  | ±2.0' |

**WFD** CONN 深圳市旺富达电子有限公司  
SHEN ZHEN WFD ELECTRONICS CO., LTD

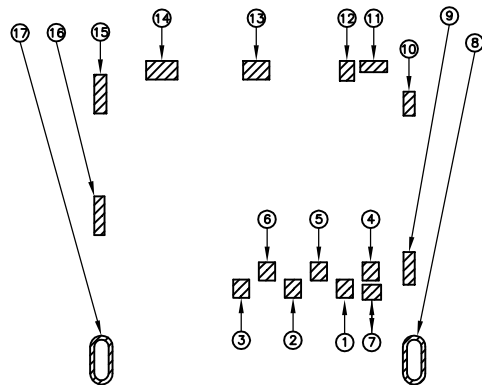
|      |          |   |
|------|----------|---|
| NAME | DATE     | DRAW NAME:  |
| DWN  | LIU MIAO | 1.27mm (DIP:1.4mm)Push Micro Sim CARD CONN CUSTOMER DRAWING . |
| CHK  | SIMON    | P/N : MPS-0604-0127001  |
| APVD | DAVID    |   |

|                         |      |       |        |     |        |
|-------------------------|------|-------|--------|-----|--------|
| FINISH                  | UNIT | SCALE | WEIGHT | REV | SHEET  |
| DWG NO. C-1070065110-00 | mm   | 1:1   |        | A0  | 1 OF 3 |

Third Angle Project

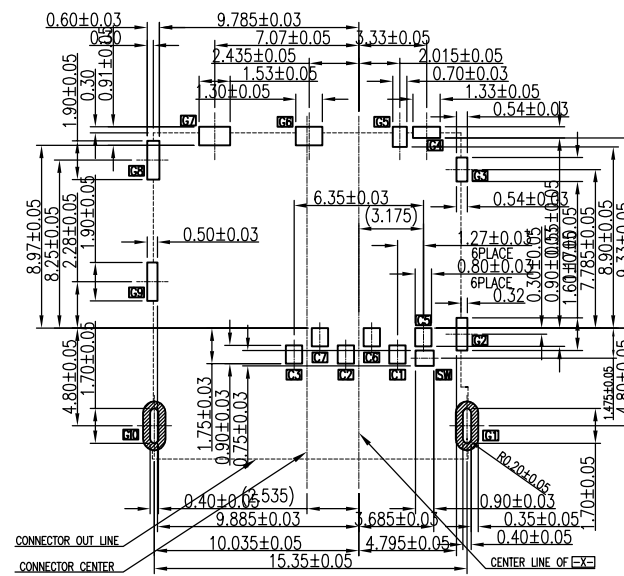


Recommended PCB Layout  
(General tolerance:±0.05)

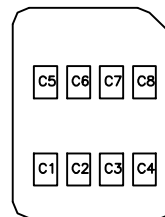


【 Connector Pin Assignments 】

| No. | Pin name | Description      |
|-----|----------|------------------|
| ①   | C1       | Vcc of SIM       |
| ②   | C2       | RST of SIM       |
| ③   | C3       | CLK of SIM       |
| ④   | C5       | GND of SIM       |
| ⑤   | C6       | Vpp of SIM       |
| ⑥   | C7       | I/O of SIM       |
| ⑦   | SW       | Detection Switch |
| ⑧~⑰ | GND      | Shell Ground     |



【 SIM CARD PAD LAYOUT 】



【 SIM Card Pin Assignments 】

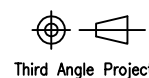
| PIN | Name     |
|-----|----------|
| C1  | Vcc      |
| C2  | RST      |
| C3  | CLK      |
| C4  | Reserved |
| C5  | GND      |
| C6  | Vpp      |
| C7  | I/O      |
| C8  | Reserved |

Unless otherwise specified tolerances are

|       |       |
|-------|-------|
| X.X   | ±0.30 |
| X.XX  | ±0.20 |
| X.XXX | ±0.10 |
| X'    | ±3.0' |
| X.X'  | ±2.0' |

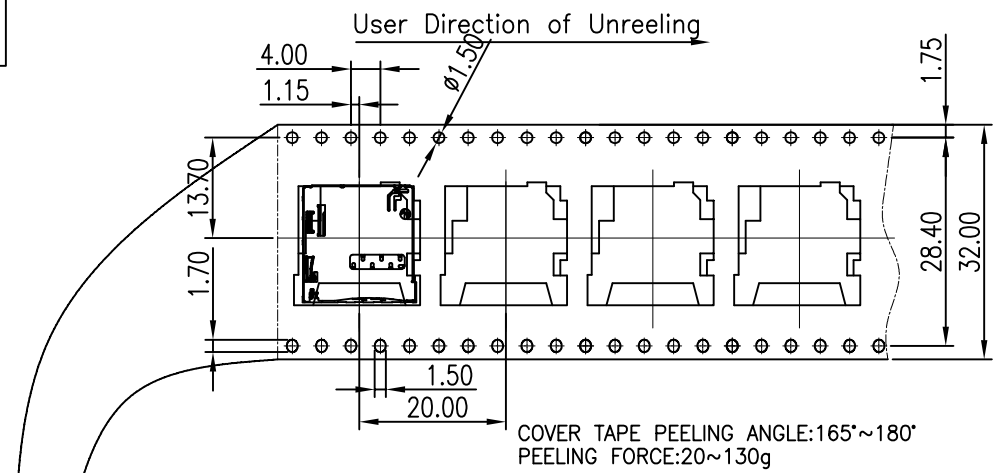
WFD<sub>CONN</sub> 深圳市旺富达电子有限公司  
SHEN ZHEN WFD ELECTRONICS CO., LTD

| NAME | DATE     | DRAW NAME:  |
|------|----------|---|
| DWN  | LIU MIAO | 1.27mm (DIP:1.4mm)Push Micro SIM CARD CONN CUSTOMER DRAWING . |
| CHK  | SIMON    | P/N : MPS-0604-0127001  |
| APVD | DAVID    |   |



| FINISH                  | UNIT | SCALE | WEIGHT | REV | SHEET  |
|-------------------------|------|-------|--------|-----|--------|
| DWG NO. C-1070065110-00 | mm   | 1:1   |        | A0  | 2 OF 3 |

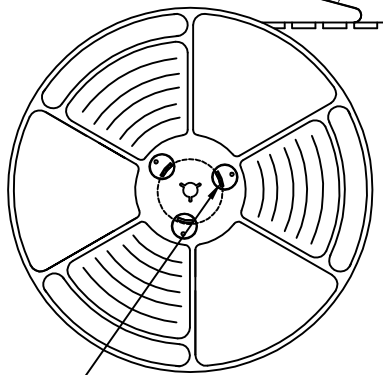
RoHS



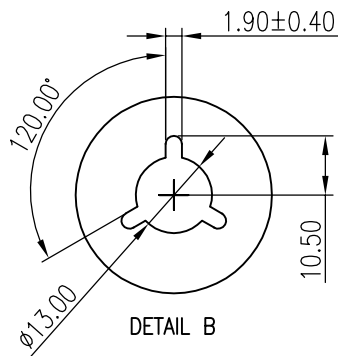
COVER TAPE PEELING ANGLE:165°~180°  
PEELING FORCE:20~130g

CARRIER TAPE

User Direction of Unreeling



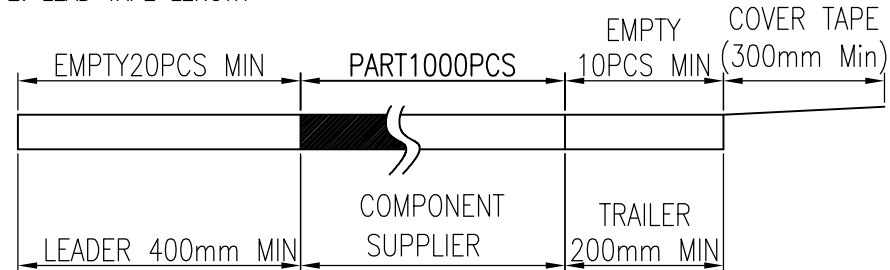
DETAIL B



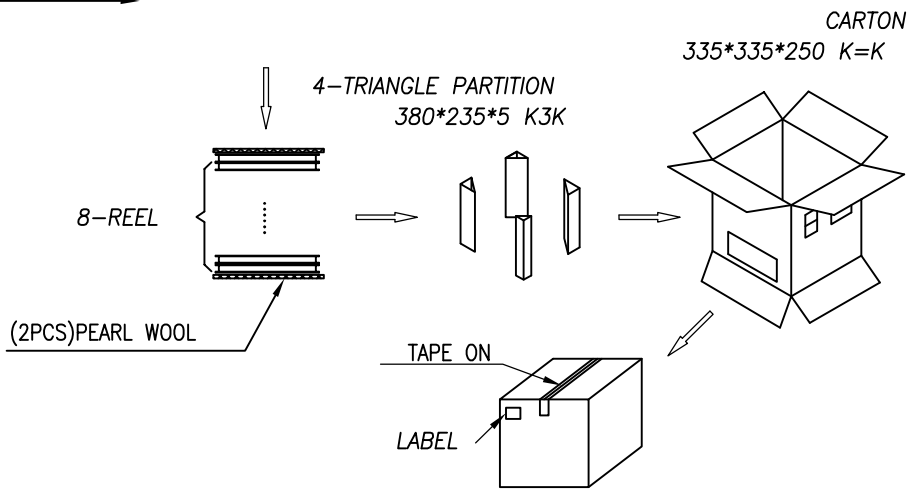
DETAIL B

NOTES

1. NUMBER OF CONNECTORS:1000PCS/REEL
2. LEAD TAPE LENGTH



3. QUANTITY:8000PCS/CARTON
4. WEIGHT :  
THE NET WEIGHT OF PER PART IS 0.38g.



Unless otherwise specified tolerances are

**WFDconn** 深圳市旺富达电子有限公司  
SHEN ZHEN WFD ELECTRONICS CO., LTD

|       |       |
|-------|-------|
| X.X   | ±0.30 |
| X.XX  | ±0.20 |
| X.XXX | ±0.10 |
| X'    | ±3.0' |
| X.X'  | ±2.0' |

|      |          |  |
|------|----------|--|
| NAME | DATE     | DRAW NAME:<br>1.27mm (DIP:1.4mm)Push Micro Sim<br>CARD CONN CUSTOMER DRAWING . |
| DWN  | LIU MIAO |  |
| CHK  | SIMON    | P/N : MPS-0604-0127001   |
| APVD | DAVID    |  |

|                     |         |      |       |        |     |       |
|---------------------|---------|------|-------|--------|-----|-------|
| Third Angle Project | FINISH  | UNIT | SCALE | WEIGHT | REV | SHEET |
|                     | DWG NO. |      |       |        |     |       |