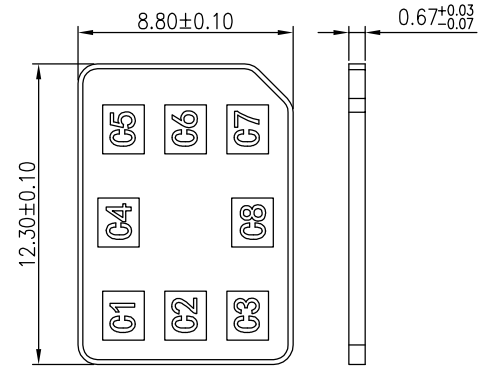
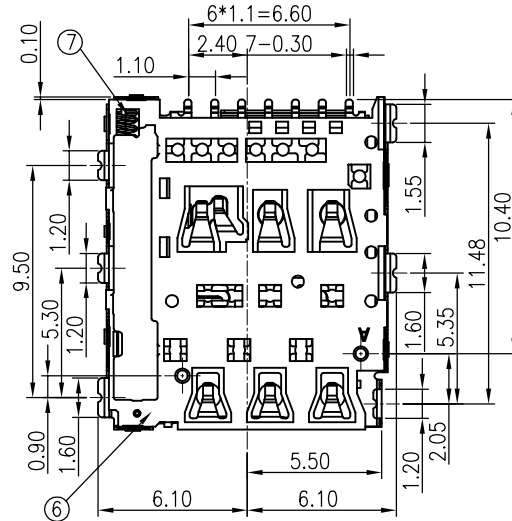
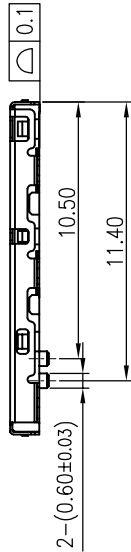
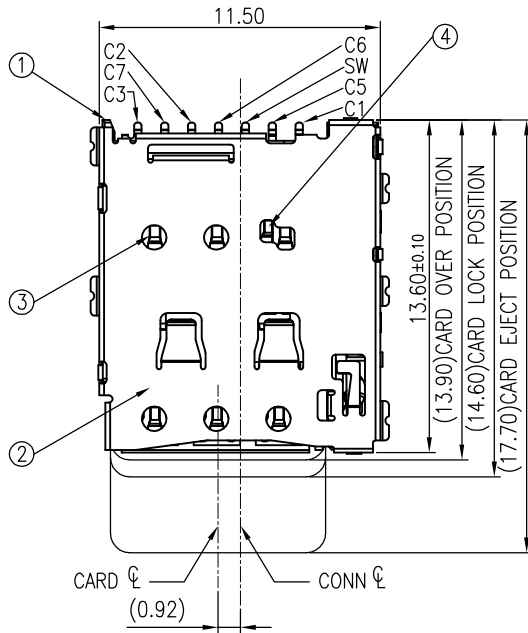
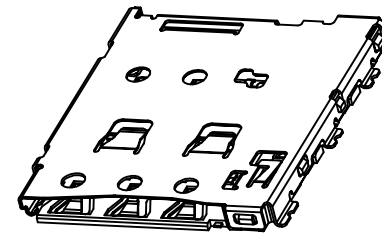


RoHS

REV.	EC#	DESCRIPTION	DATE	DRAWING	CHECKED	APPROVED
A		NEW RELEASE	08/11'21	LIU MIAO	SIMON	DAVID

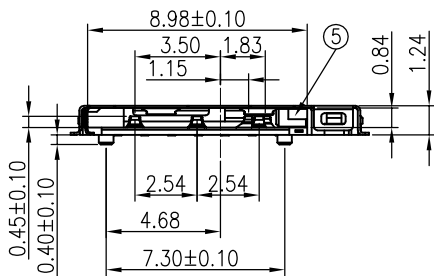
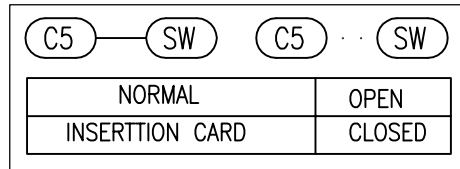


NANO-SIM CARD



Nano SIM Circuit Description:

PIN No.	FUNCTION
C1	VCC
C2	RST
C3	CLK
C5	GND
C6	VPP
C7	I/O

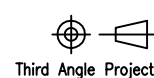


NO.	DESCRIPTION	Q'TY	Material
7	SPRING	1	THERMOPLASTIC RATING UL94V-0
6	LINK	1	STAINLESS STEEL
5	SLIDE	1	STAINLESS STEEL
4	DETECT PIN	1	COPPER ALLOY
3	CONTACT	1	COPPER ALLOY
2	SHELL	1	STAINLESS STEEL
1	HOUSING	1	LCP UL94V-0

Unless otherwise specified tolerances are	
X.X	±0.30
X.XX	±0.20
X.XXX	±0.10
X'	±3.0'
X.X'	±2.0'

**WFD**CONN 深圳市旺富达电子有限公司  
SHEN ZHEN WFD ELECTRONICS CO., LTD

NAME	DATE	DRAW NAME:
DWN	LIU MIAO	1.24 NANO SIM PUSH CONN CUSTOMER
CHK	SIMON	P/N : MPS-0704-0124001
APVD	DAVID	

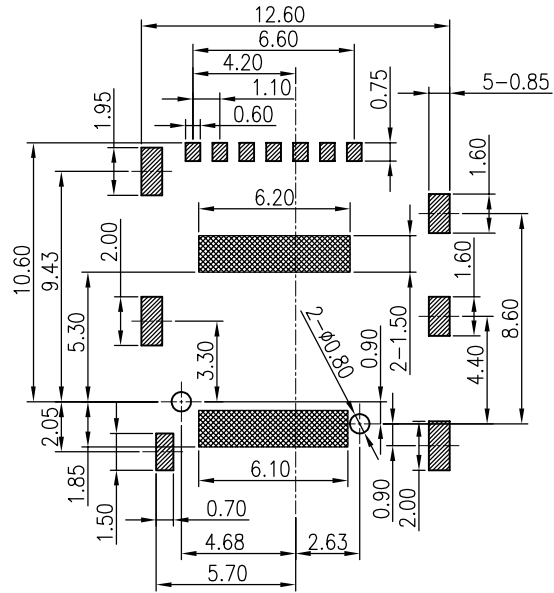



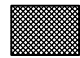
Third Angle Project

FINISH	UNIT	SCALE	WEIGHT	REV	SHEET
	mm	1:1		A	1 OF 3

DWG NO. C-1080015112-00

RoHS


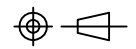


 SMT SOLDER AREA.  
 NO PATTERN AREA

RECOMMENDED PCB LAYOUT  
 ALL TOLERANCE  $\pm 0.05\text{MM}$

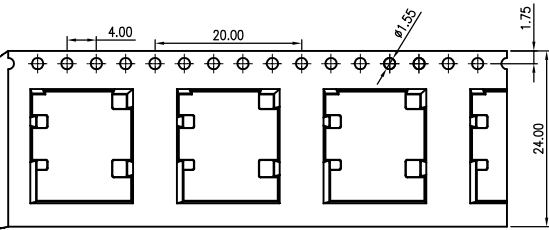
NOTES:

1. FINISH:
  - 1.1 CONTACT:  
50 $\mu$ "MIN NICKEL UNDER PLATED, 1 $\mu$ "MIN GOLD PLATING ON CONTACT AREA, GOLD FLASH PLATING ON SOLDERING AREA
  - 1.2 SHELL:  
30 $\mu$ "NICKEL UNDER PLATED;  
1 $\mu$ "MIN GOLD PLATING ON SOLDERING AREA.
2. ELECTRICAL REQUIREMENTS:
  - 2.1 RATED CURRENT: 0.5A
  - 2.2 CONTACT RESISTANCE: 50m $\Omega$  MAX
  - 2.3 INSULATION RESISTANCE: 1000M $\Omega$  MIN 200V DC FOR 1 MINUTE
  - 2.4 DIELECTRIC WITHSTANDING VOLTAGE: 500V AC FOR 1 MINUTE.
3. MECHANICAL REQUIREMENTS:  
DURABILITY: 3000 CYCLES MIN.
4. ENVIRONMENTAL REQUIREMENTS:
  - 4.1 OPERATING TEMP: -30 $^{\circ}\text{C}$  ~ +85 $^{\circ}\text{C}$
  - 4.2 STORAGE TEMP: -40 $^{\circ}\text{C}$  ~ +85 $^{\circ}\text{C}$
5. RECOMMENDED PROCESS CONDITION:  
IR-REFLOW, PEAK TEMPERATURE AND TIME: 250 $^{\circ}\text{C}$ , 5-10S
6. METAL MASK THICKNESS 0.10MM MIN

Unless otherwise specified tolerances are		 <b>深圳市旺富达电子有限公司</b> SHEN ZHEN WFD ELECTRONICS CO., LTD																				
X.X	$\pm 0.30$	<table border="1"> <tr> <td></td> <td>NAME</td> <td>DATE</td> <td rowspan="5">DRAW NAME: 1.24 NANO SIM PUSH CONN CUSTOMER</td> </tr> <tr> <td>X.XX</td> <td><math>\pm 0.20</math></td> <td>DWN</td> <td>LIU MIAO</td> </tr> <tr> <td>X.XXX</td> <td><math>\pm 0.10</math></td> <td>CHK</td> <td>SIMON</td> </tr> <tr> <td>X'</td> <td><math>\pm 3.0'</math></td> <td>APVD</td> <td>DAVID</td> </tr> <tr> <td>X.X'</td> <td><math>\pm 2.0'</math></td> <td></td> <td></td> </tr> </table>		NAME	DATE	DRAW NAME: 1.24 NANO SIM PUSH CONN CUSTOMER	X.XX	$\pm 0.20$	DWN	LIU MIAO	X.XXX	$\pm 0.10$	CHK	SIMON	X'	$\pm 3.0'$	APVD	DAVID	X.X'	$\pm 2.0'$		
	NAME		DATE	DRAW NAME: 1.24 NANO SIM PUSH CONN CUSTOMER																		
X.XX	$\pm 0.20$		DWN		LIU MIAO																	
X.XXX	$\pm 0.10$		CHK		SIMON																	
X'	$\pm 3.0'$		APVD		DAVID																	
X.X'	$\pm 2.0'$																					
		P/N : MPS-0704-0124001																				
 Third Angle Project		FINISH		UNIT	SCALE	WEIGHT	REV	SHEET														
		DWG NO.	C-1080015112-00	mm	1:1		A	2 OF 3														

RoHS

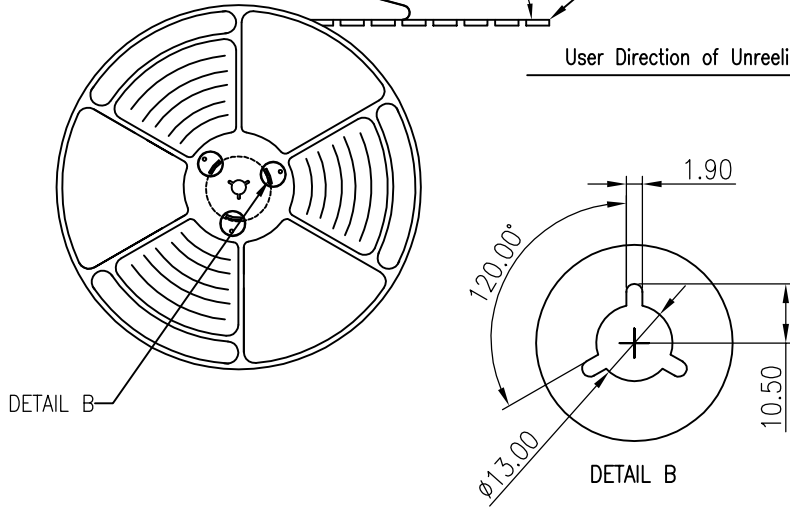
User Direction of Unreeling



COVER TAPE PEELING ANGLE: 165°~180°  
PEELING FORCE: 20~130g

CARRIER TAPE

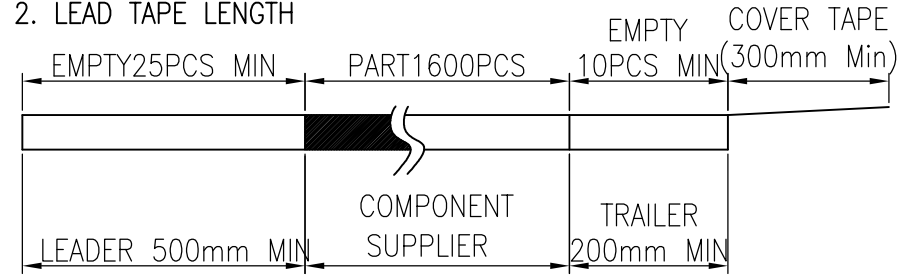
User Direction of Unreeling



NOTES

1. NUMBER OF CONNECTORS: 1600PCS/REEL

2. LEAD TAPE LENGTH

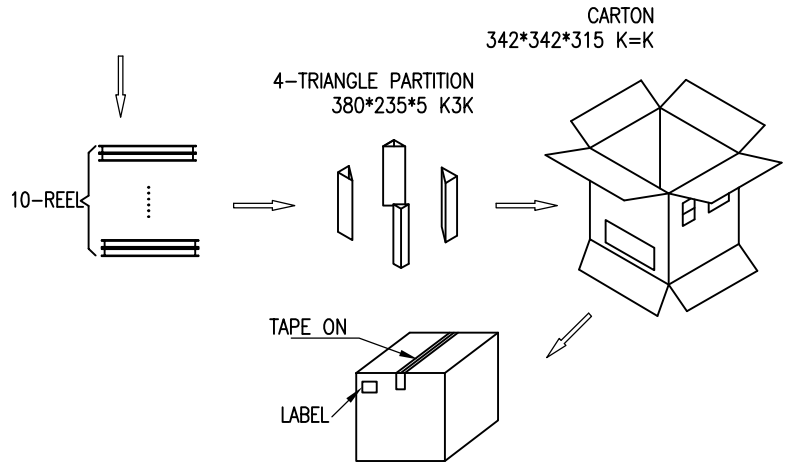


3. QUANTITY: 16000PCS/CARTON

4. WEIGHT :

3.1 NET WEIGHT : Kg

3.2 GROSS WEIGHT : Kg



Unless otherwise specified tolerances are

X.X	±0.30
X.XX	±0.20
X.XXX	±0.10
X'	±3.0'
X.X'	±2.0'

**WFD<sub>CONN</sub>** 深圳市旺富达电子有限公司  
SHEN ZHEN WFD ELECTRONICS CO., LTD

NAME	DATE	DRAW NAME: 1.24 NANO SIM PUSH CONN CUSTOMER
DWN	LIU MIAO	
CHK	SIMON	P/N : MPS-0704-0124001
APVD	DAVID	

Third Angle Project	FINISH		UNIT	SCALE	WEIGHT	REV	SHEET
	DWG NO.	C-1080015112-00	mm	1:1		A	3 OF 3