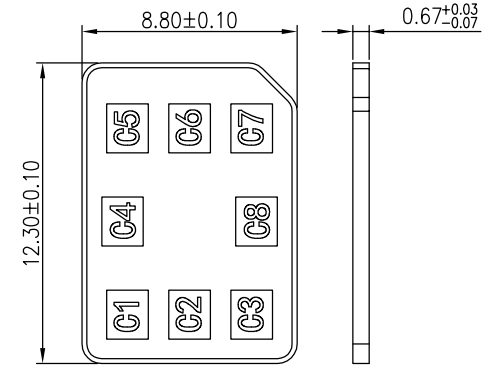
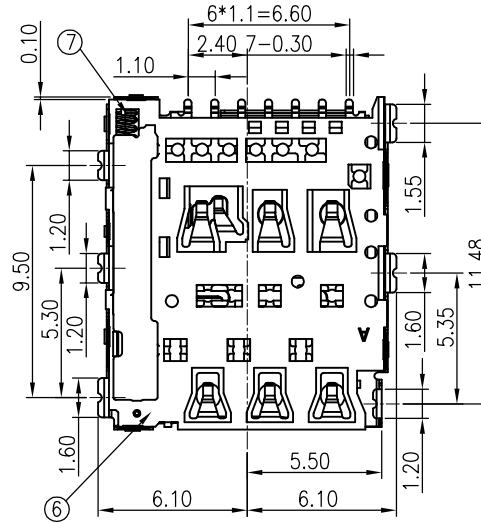
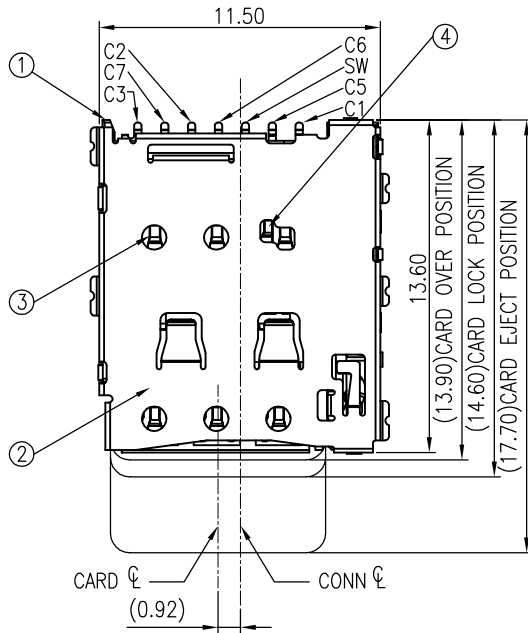
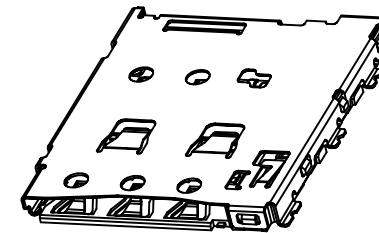


# RoHS

REV.	EC#	DESCRIPTION	DATE	DRAWING	CHECKED	APPROVED
A0		NEW RELEASE	08/11'21	LIU MIAO	SIMON	DAVID

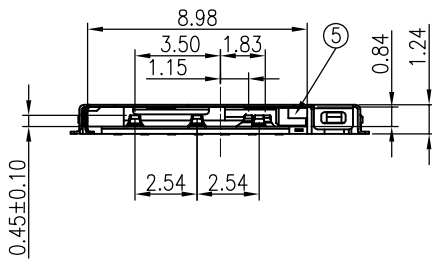
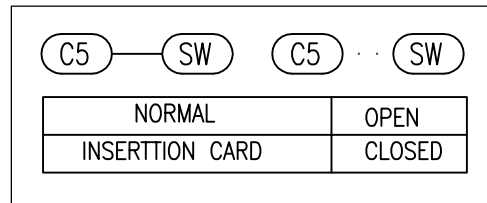


NANO-SIM CARD



Nano SIM Circuit Description:

PIN No.	FUNCTION
C1	VCC
C2	RST
C3	CLK
C5	GND
C6	VPP
C7	I/O



NO.	DESCRIPTION	Q'TY	Material
7	SPRING	1	THERMOPLASTIC RATING UL94V-0
6	LINK	1	STAINLESS STEEL
5	SLIDE	1	STAINLESS STEEL
4	DETECT PIN	1	COPPER ALLOY
3	CONTACT	1	COPPER ALLOY
2	SHELL	1	STAINLESS STEEL
1	HOUSING	1	LCP UL94V-0

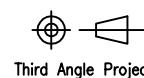
Unless otherwise specified tolerances are	
X.X	±0.20
X.XX	±0.10
X.XXX	±0.05
X'	±2.0'
X.X'	±1.0'

**WFD**CONN 深圳市旺富达电子有限公司  
SHEN ZHEN WFD ELECTRONICS CO., LTD

NAME	DATE	DRAW NAME:
DWN	LIU MIAO	08/11'21
CHK	SIMON	
APVD	DAVID	

1.24 NANO SIM PUSH CONN CUSTOMER 无定位柱

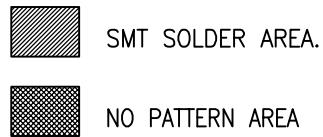
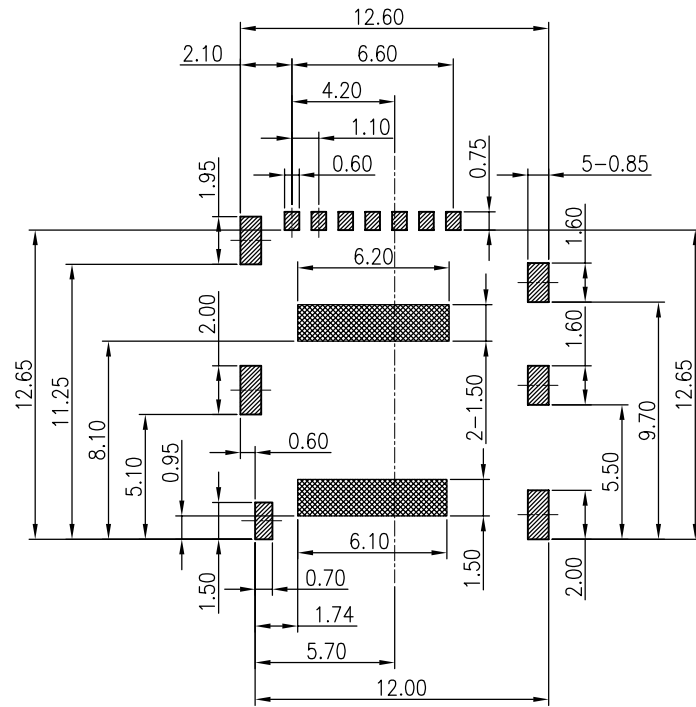
P/N : MPS-0704-0124002



FINISH	UNIT	SCALE	WEIGHT	REV	SHEET
	mm	1:1		A0	1 OF 3

DWG NO. C-1080025112-00

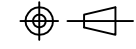
RoHS



RECOMMENDED PCB LAYOUT  
ALL TOLERANCE  $\pm 0.05\text{MM}$

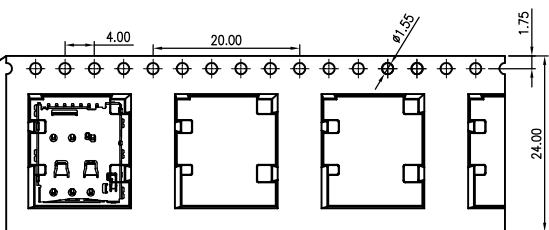
NOTES:

1. FINISH:
  - 1.1 CONTACT:  
50 $\mu$ "MIN NICKEL UNDER PLATED, 1 $\mu$ "MIN GOLD PLATING ON CONTACT AREA, GOLD FLASH PLATING ON SOLDERING AREA
  - 1.2 SHELL:  
30 $\mu$ "NICKEL UNDER PLATED;  
1 $\mu$ "MIN GOLD PLATING ON SOLDERING AREA.
2. ELECTRICAL REQUIREMENTS:
  - 2.1 RATED CURRENT: 0.5A
  - 2.2 CONTACT RESISTANCE: 50m $\Omega$  MAX
  - 2.3 INSULATION RESISTANCE: 1000M $\Omega$  MIN 200V DC FOR 1 MINUTE
  - 2.4 DIELECTRIC WITHSTANDING VOLTAGE: 500V AC FOR 1 MINUTE.
3. MECHANICAL REQUIREMENTS:  
DURABILITY: 3000 CYCLES MIN.
4. ENVIRONMENTAL REQUIREMENTS:
  - 4.1 OPERATING TEMP:  $-30^{\circ}\text{C} \sim +85^{\circ}\text{C}$
  - 4.2 STORAGE TEMP:  $-40^{\circ}\text{C} \sim +85^{\circ}\text{C}$
5. RECOMMENDED PROCESS CONDITION:  
IR-REFLOW, PEAK TEMPERATURE AND TIME:  $250^{\circ}\text{C}$ , 5-10S
6. METAL MASK THICKNESS 0.10MM MIN

Unless otherwise specified tolerances are		<b>WFD</b> 深圳市旺富达电子有限公司 SHEN ZHEN WFD ELECTRONICS CO., LTD							
X.X	$\pm 0.20$	NAME	DATE	DRAW NAME: 1.24 NANO SIM PUSH CONN CUSTOMER 无定位柱					
X.XX	$\pm 0.10$								
X.XXX	$\pm 0.05$	DWN	LIU MIAO	08/11'21	P/N : MPS-0704-0124002				
X'	$\pm 2.0'$	CHK	SIMON						
X.X'	$\pm 1.0'$	APVD	DAVID						
 Third Angle Project		FINISH			UNIT	SCALE	WEIGHT	REV	SHEET
		DWG NO.	C-1080025112-00	mm	1:1		A0	2 OF 3	

RoHS

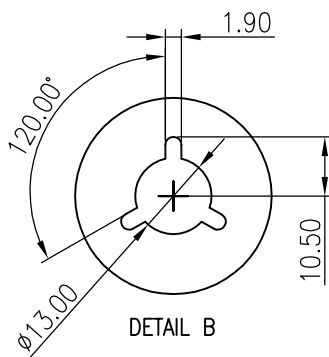
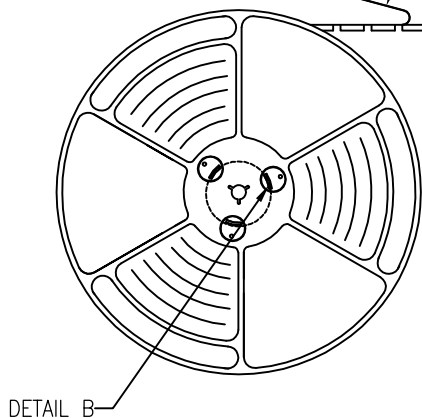
User Direction of Unreeling



COVER TAPE PEELING ANGLE: 165°~180°  
PEELING FORCE: 20~130g

CARRIER TAPE

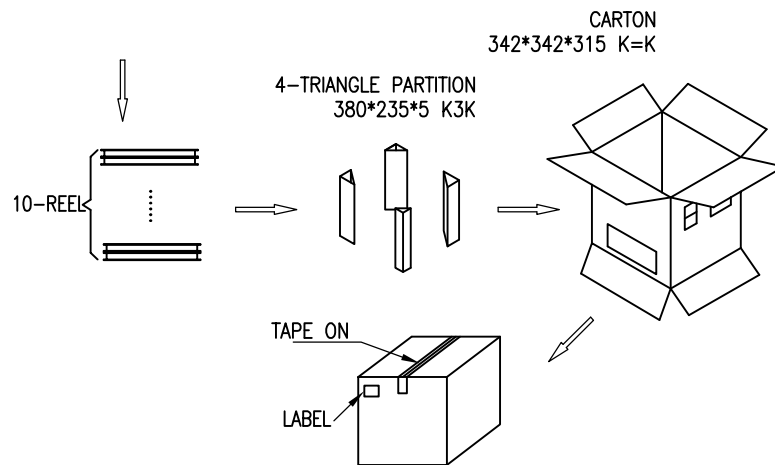
User Direction of Unreeling



NOTES

- NUMBER OF CONNECTORS: 1600PCS/REEL
- LEAD TAPE LENGTH  

EMPTY 25PCS MIN	PART 1600PCS	EMPTY 10PCS MIN	COVER TAPE (300mm Min)
LEADER 500mm MIN		COMPONENT SUPPLIER	TRAILER 200mm MIN
- QUANTITY: 16000PCS/CARTON
- WEIGHT :  
 3.1 NET WEIGHT : Kg  
 3.2 GROSS WEIGHT : Kg

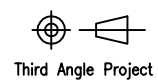


Unless otherwise specified tolerances are

X.X	±0.20
X.XX	±0.10
X.XXX	±0.05
X'	±2.0'
X.X'	±1.0'

**WFD**CONN 深圳市旺富达电子有限公司  
SHEN ZHEN WFD ELECTRONICS CO., LTD

NAME	DATE	DRAW NAME: 1.24 NANO SIM PUSH CONN CUSTOMER 无定位柱
DWN LIU MIAO	08/11'21	
CHK SIMON		P/N : MPS-0704-0124002
APVD DAVID		



Third Angle Project

FINISH		UNIT	SCALE	WEIGHT	REV	SHEET
DWG NO.	C-1080025112-00	mm	1:1		A0	3 OF 3