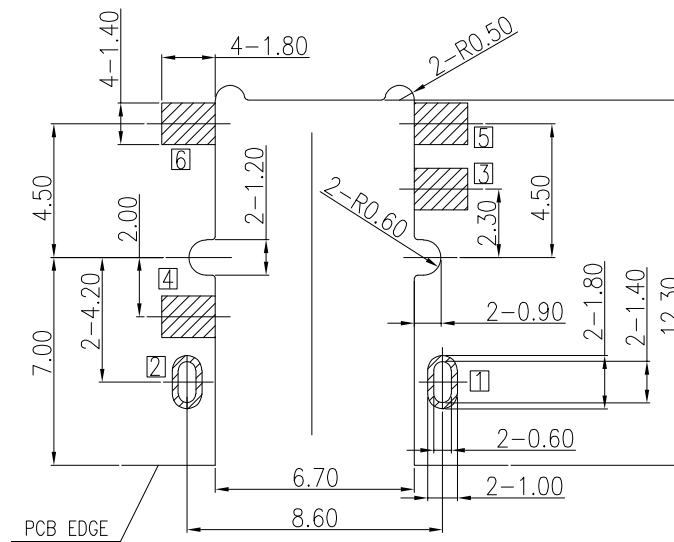
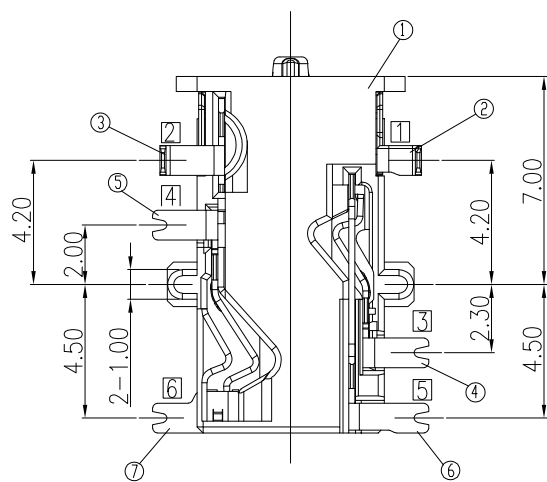
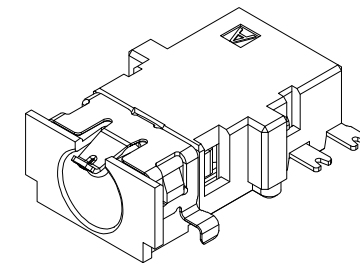
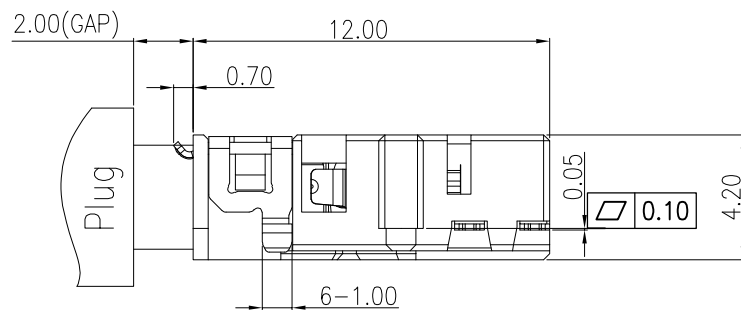
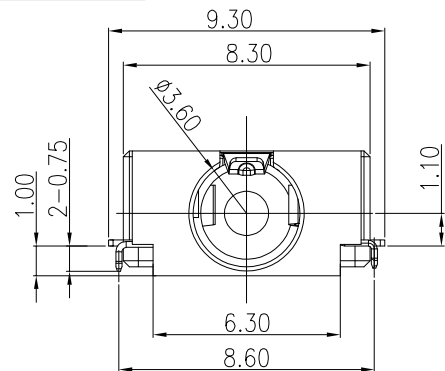


RoHS Compliant

Halogen Free

CUSTOMER DRAWING



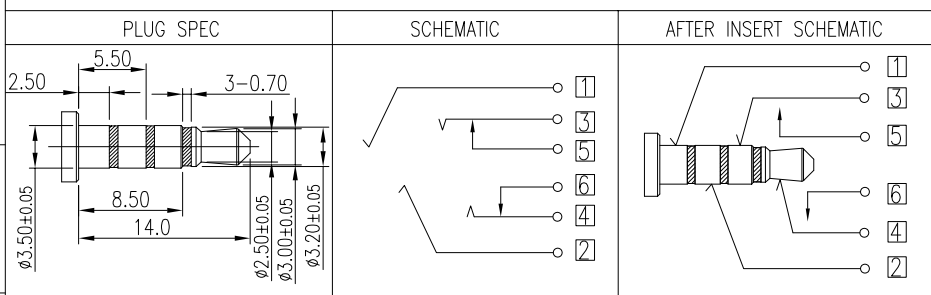
RECOMMENDED P.C.B LAYOUT
TOP VIEW (TOLRANCE:±0.05)

NOTES:

1. MATERIAL: SEE "TABLE 1";
2. FINISH: SEE "TABLE 1";
3. ELECTRICAL:
 - 3.1. VOLTAGE RATING: 12 VAC RMS;
 - 3.2. CURRENT RATING: 1 AMP;
 - 3.3. CONTACT RESISTANCE: 50mΩ Max.(Initial), 100mΩ Max.(After Life test);
 - 3.4. INSULATION RESISTANCE: 100 MΩ Min., 500VDC.(Initial), 50 MΩ Min., 500VDC.(After Humidity test);
 - 3.5. WITHSTAND VOLTAGE: 500 VAC RMS 50(60)Hz, 1 minute;
4. MECHANICAL:
 - 4.1. MATING FORCE: 3.0Kgf MAX.;
 - 4.2. UNMATING FORCE: 0.3Kgf MIN.;
 - 4.3. OPERATING LIFE: 5000 CYCLES MIN.;
5. ENVIRONMENTAL:
 - 5.1. OPERATION: -30°C~+80°C.

TABLE 1:

⑦	TERMINAL 6 [6]	1	COPPER ALLOY	CONTACT AREA: GF SOLDER AREA: GF, Ni 40u" OVER ALL	T=0.20mm
⑥	TERMINAL 5 [5]	1	COPPER ALLOY		T=0.20mm
⑤	TERMINAL 4 [4]	1	COPPER ALLOY		T=0.20mm
④	TERMINAL 3 [3]	1	COPPER ALLOY		T=0.20mm
③	TERMINAL 2 [2]	1	COPPER ALLOY		T=0.20mm
②	TERMINAL 1 [1]	1	COPPER ALLOY		T=0.20mm
①	HOUSING	1	HIGH TEMP	BLACK	UL94 V-0
NO.	PART NAME	QTY	MATERIAL	DESCRIPTION	REMARK



PLUG SPEC		SCHEMATIC		AFTER INSERT SCHEMATIC	
N/A	A	新版发行		2020.07.10	Liu Miao
ECN NO.	REV.	DESCRIPTION	DATE	CHANGE	APPROVAL
					DAVID

DESIGN	Liu Miao	2020.07.10
CHECK	SIMON	2020.07.10
APPROVAL	DAVID	2020.07.10

UNLESS OTHERWISE,
GENERAL TOLERANCE:
X.xxx ±0.10
X.xx ±0.20
X.x ±0.30
X. ±0.38
ANGULAR:
X.xx ±1°
X.x ±3°
X. ±5°

WFDconn 深圳市旺富达电子有限公司
Shenzhen WFD Electronics Co.Ltd..

TITLE: 3.5mm Phone Jack CONN. 客户图

P/N: MPJ-06036-06-G-007
MODEL: J304-R
DRAW NO.: _____

THIRD ANGLE PROJECTION

UNIT:	SCALE:	SIZE:	SHEET:
mm	1:1	A4	1/1