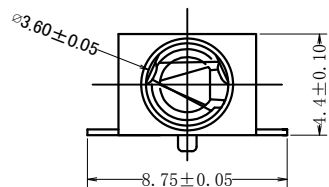
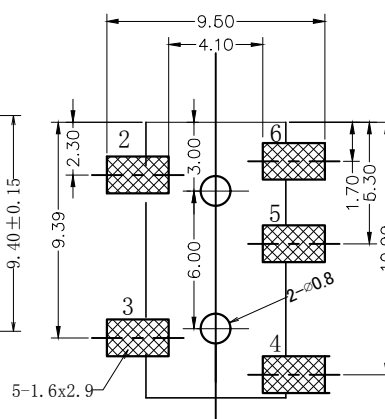
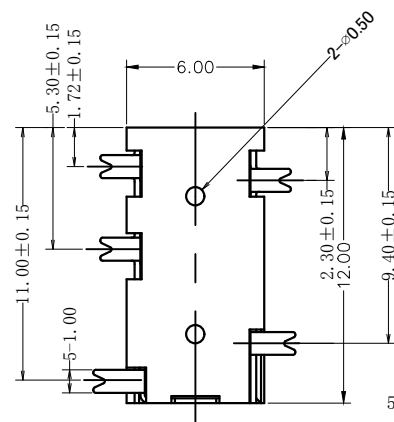
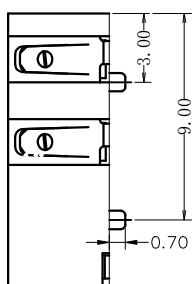
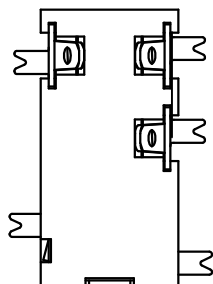
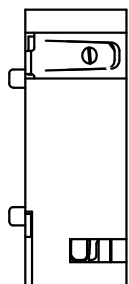


线路板位置尺寸



NOTES:

1. CONTACT CURRENT RATING: 1A.
2. CONTACT RESISTANCE: 50 mΩ MAX.;
3. INSULATION RESISTANCE: 100MΩ MIN.;
4. DIELECTRIC WITHSTANDING: 500V AC MIN.;
5. DURABILITY: 5,000 CYCLES MIN.;
6. CONNECTOR MATING FORCES:
29.4N (3.00Kgf) MAX.;
7. CONNECTOR UNMATING FORCES:
2.94N(0.30Kgf) MIN.;

5	PJ-308-05/06	右弹片脚	2	磷铜	0.2T	镀银
4	PJ-308-04	后小脚	1	磷铜	0.2T	镀银
3	PJ-308-03	后弹片脚	1	磷铜	0.2T	镀银
2	PJ-308-02	左弹片脚	1	磷铜	0.2T	镀银
1	PJ-308-01	底座	1	PPA		黑色
NO.	产品编号	产品名称	数量	材料	规格	处理

CUSTOMER COPY **WFD**CONN 深圳市旺富达电子有限公司
Shenzhen WFD Electronics Co.Ltd..

TITLE: ϕ 3.50 mm PHONE JACK CONNECTOR

PART NO. MPJ-05S36-05-S-008

PRODUCT SPEC.

FILE NAME. J308CWR05GAHKD025

SCALE 4:1 UNIT:mm A4 SHEET: 1 of 2

ECN NO.	REV	DATE	DESCRIPTION	CHANGE	APPRO.	GENERAL TOLERANCE UNLESS OTHERWISE NOTED	APPRO.	DAVID	18/8/23
	C	18/10/16				Angle ±2° X ±0.35 .X ±0.25 .XX ±0.	DESIGN	Liu Miao	18/8/23
	B	18/8/23			Liu Miao		CHECK	SIMON	18/8/23