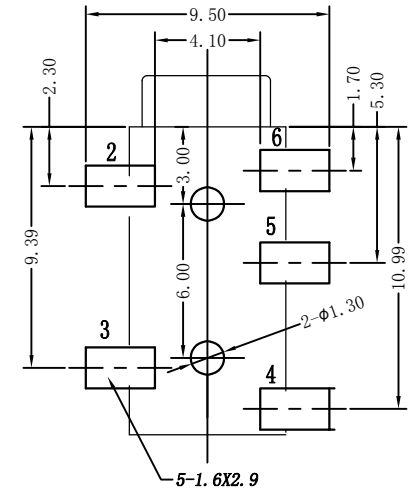
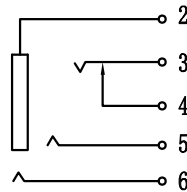
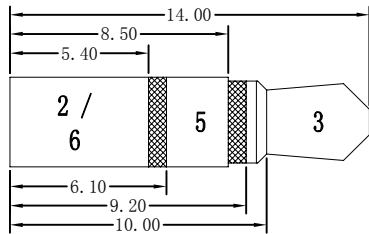
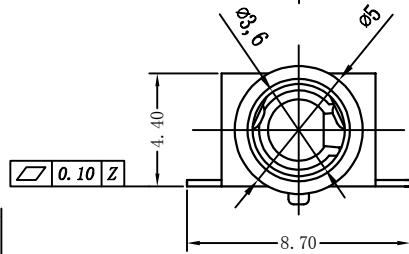
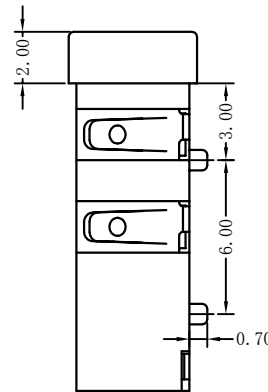
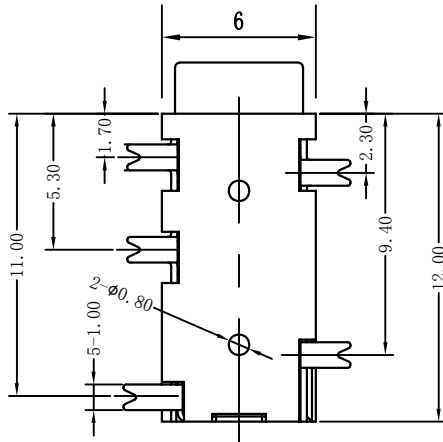
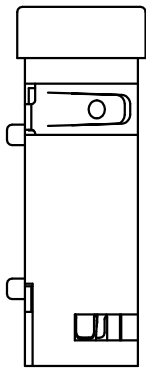
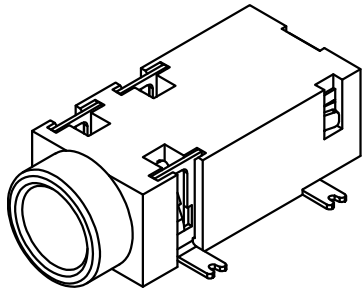


RoHS Compliant



P.C.B LAYOUT TOP VIEW

NOTES:

1. CONTACT CURRENT RATING: 1A.
2. CONTACT RESISTANCE: 50 mΩ MAX.;
3. INSULATION RESISTANCE: 100MΩ MIN.;
4. DIELECTRIC WITHSTANDING: 500V AC MIN.;
5. DURABILITY: 5,000 CYCLES MIN.;
6. CONNECTOR MATING FORCES:
29.4N (3.00Kgf) MAX.;
7. CONNECTOR UNMATING FORCES:
2.94N(0.30Kgf) MIN.;

5	PJ-308-05/06	右弹片脚	2	磷铜	0.20T	镀银
4	PJ-308-04	后小脚	1	磷铜	0.20T	镀银
3	PJ-308-03	后弹片脚	1	磷铜	0.20T	镀银
2	PJ-308-02	左弹片脚	1	磷铜	0.20T	镀银
1	PJ-308-01	底座	1	PPA		黑色
NO.	产品编号	产品名称	数量	材料	规格	处理

UNLESS OTHERWISE,
GENERAL TOLERANCE:

- X. xxx ±0.10
- X. xx ±0.20
- X. x ±0.30
- X. ±0.50

ANGULAR:

- X. xx ±1°
- X. x ±3°
- X. ±5°

WFDCONN

深圳市旺富达电子有限公司
Shenzhen WFD Electronics Co.Ltd..

TITLE:		P/N: MPJ-05036-05-S-009	
THIRD ANGLE PROJECTION		DRAW NO.:	
UNIT:	SCALE:	SIZE:	SHEET:
mm	1:1	A4	1/1

DESIGN	Liu Miao	2019.04.06		
CHECK	SIMON	2019.04.06		
APPROVAL	DAVID	2019.04.06		
ECN NO.	REV.	DESCRIPTION	DATE	CHANGE
	A	NEW DRAWING	2019.04.06	Liu Miao