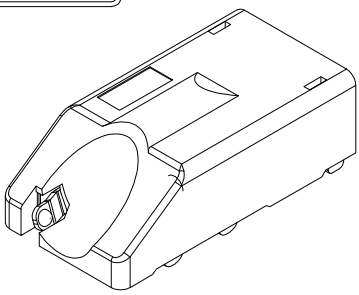
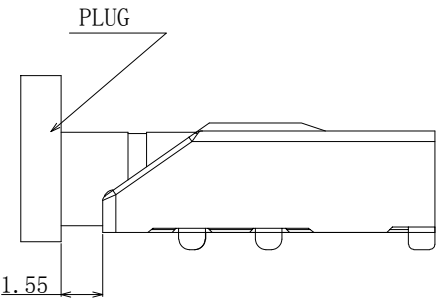
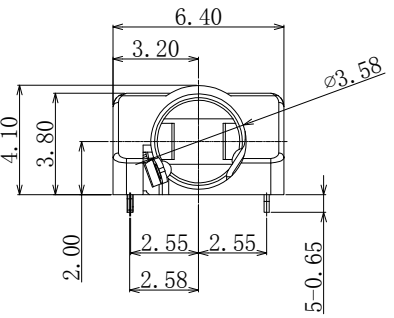
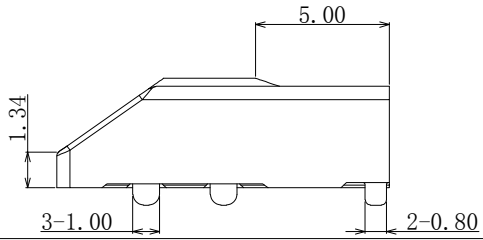
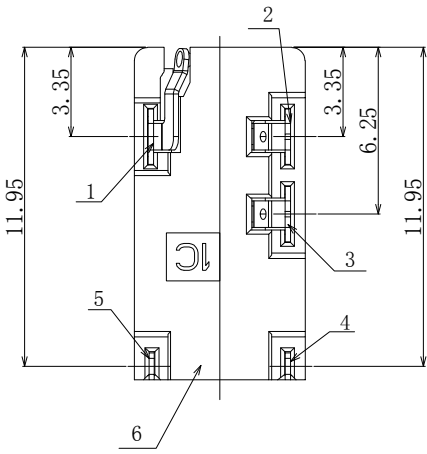


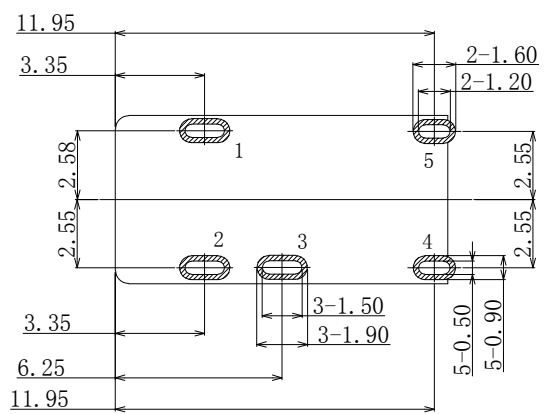
RoHS Compliant



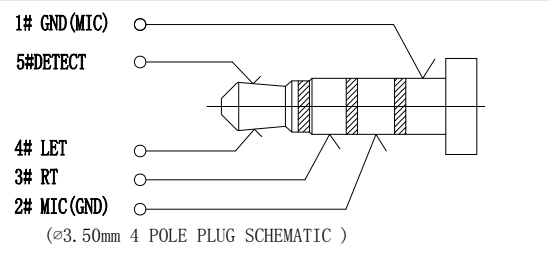
3D VIEW



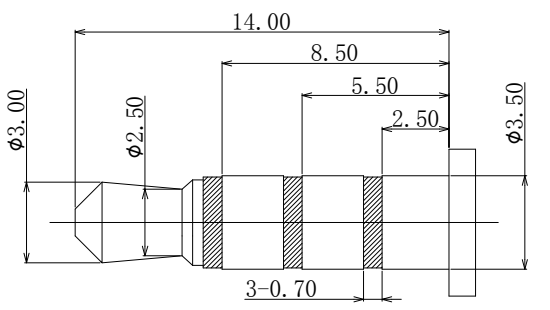
PLUG MATE DRAWING



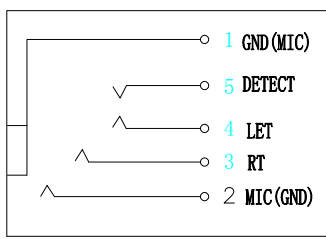
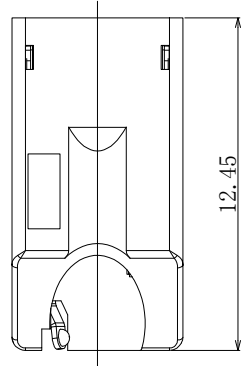
P.C.B LAYOUT TOP VIEW



(ø3.50mm 4 POLE PLUG SCHEMATIC)



(ø3.50mm 4 POLE PLUG DETAIL DRAWING)



SCHEMATIC

1. CONTACT CURRENT RATING: 1A.
2. CONTACT RESISTANCE: 50 mΩ MAX. ;
3. INSULATION RESISTANCE: 100MΩ MIN. ;
4. DIELECTRIC WITHSTANDING: 500V AC MIN. ;
5. DURABILITY: 5,000 CYCLES MIN. ;
6. CONNECTOR MATING FORCES: 30N MAX. ;
7. CONNECTOR UNMATING FORCES: 3N MIN. ;

NO.	DESCRIPTION	MATERIAL	REMARKS	QTY
6	HOUSING	HIGHT TEMPERATURE PLASTIC; COLOR BLACK		1
5	TERMINAL 5#	STAINLESS STEEL; NICKEL UNDER PLATING OVERALL; GOLD PLATING ON SOLDER AREA; GOLD PLATING ON CONTACT AREA	T=0.20mm	1
4	TERMINAL 4#	STAINLESS STEEL; NICKEL UNDER PLATING OVERALL; GOLD PLATING ON SOLDER AREA; GOLD PLATING ON CONTACT AREA	T=0.20mm	1
3	TERMINAL 3#	COPPER ALLOY; NICKEL UNDER PLATING OVERALL; GOLD PLATING ON SOLDER AREA; GOLD PLATING ON CONTACT AREA	T=0.20mm	1
2	TERMINAL 2#	COPPER ALLOY; NICKEL UNDER PLATING OVERALL; GOLD PLATING ON SOLDER AREA; GOLD PLATING ON CONTACT AREA	T=0.20mm	1
1	TERMINAL 1#	COPPER ALLOY; NICKEL UNDER PLATING OVERALL; GOLD PLATING ON SOLDER AREA; GOLD PLATING ON CONTACT AREA	T=0.20mm	1

UNLESS OTHERWISE,
GENERAL TOLERANCE:
X. xxx ±0.10
X. xx ±0.20
X. x ±0.30
X. ±0.50
ANGULAR:
X. xx ±1°
X. x ±3°
X. ±5°

WFDconn 深圳市旺富达电子有限公司
Shenzhen WFD Electronics Co.Ltd..

TITLE: _____ P/N: MPJ-050358-05-G-010
MODEL: _____
DRAW NO.: _____

THIRD ANGLE PROJECTION UNIT: mm SCALE: 1:1 SIZE: A4 SHEET: 1/1

ECN NO.	REV.	DESCRIPTION	DATE	CHANGE	DESIGN	DATE	APPROVAL	DATE
N/A	A	NEW DRAWING	2019.07.24	Liu Miao	DESIGN	2019.07.24	Liu Miao	2019.07.24
					CHECK	2019.07.24	SIMON	2019.07.24
					APPROVAL	2019.07.24	DAVID	2019.07.24