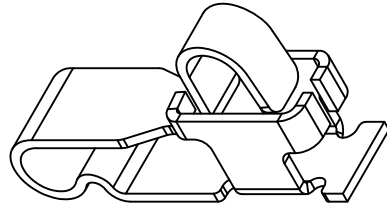


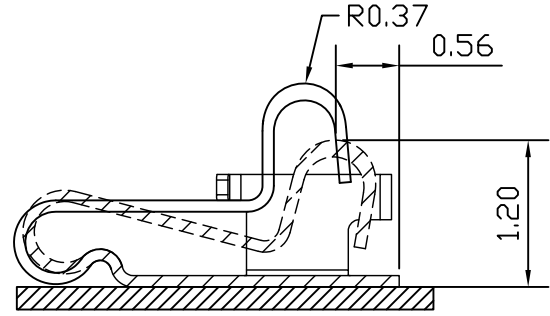
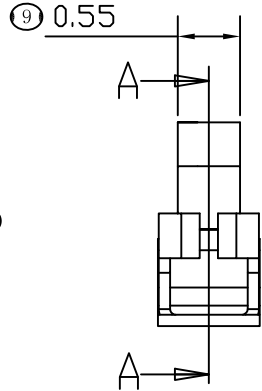
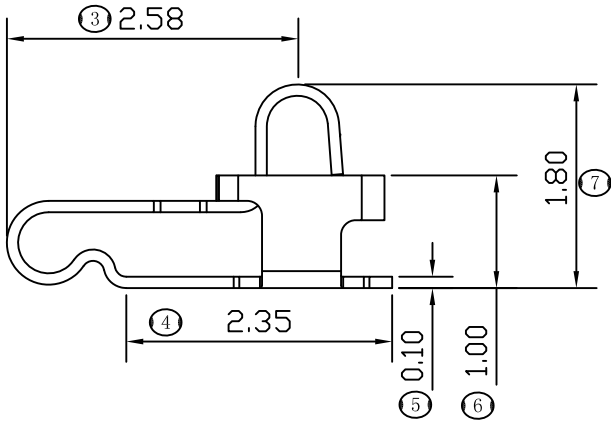
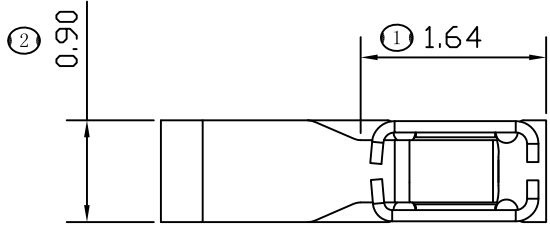
RoHS
Compliant

REV	DESCRIPTION	APPR	CHECK	DRAW	DATE
①	原始图档		SIMON	Liu Miao	120412
②	新增PCB示意图		SIMON	Liu Miao	120907

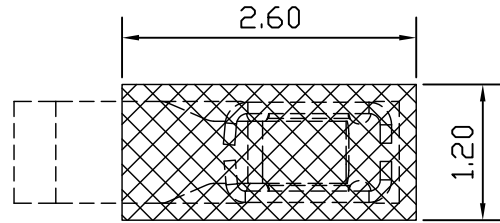


PRODUCT NO.

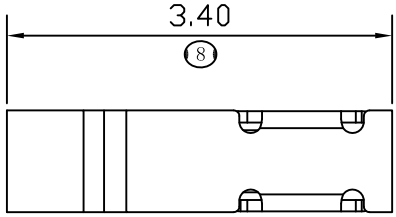
- ① PRODUCT TYPE:
1: HARDWARE
- ② MATERIAL NO.:
1: STAINLESS STEEL T=0.10
- ③ PLATING:
1: 80u" MIN. NICKEL
UNDERPLATING OVERALL
2: 1u"AU ON CONTACT AREA



STATE AT WORKING HEIGHT(H=1.20)



P. C. B. LAYOUT
TOLERANCE: ±0.05



QUALITY SYMBOLS	GENERAL TOLERANCES (UNLESS SPECIFIED)				SCALE:	NUMBER:	WFDconn 深圳市旺富达电子有限公司 Shenzhen WFD Electronics Co.Ltd..			
		MM		INCH	1:1	HRC:				
▽0	.X	±0.25	.X	④----	DRAWN BY DATE		TITLE: 带扣弹片(H=1.8)			
	.XX	±0.20	.XX	⑤----	Liu Miao 120412					
	.XXX	±0.15	.XXX	⑥----	CHECKED BY DATE					
▽C0	ANGULAR ±1°				APPROVED BY DATE		THIRD ANGLE PROJECTION		REVISE ON CAD ONLY	
	DRAFT WHERE APPLICABLE MUST REMAIN WITHIN DIMENSIONS						PART NO.		DWG NO.	
							WFD-3001M2160022-2		3003M	
								SHEET NO.		A4
								1/1		