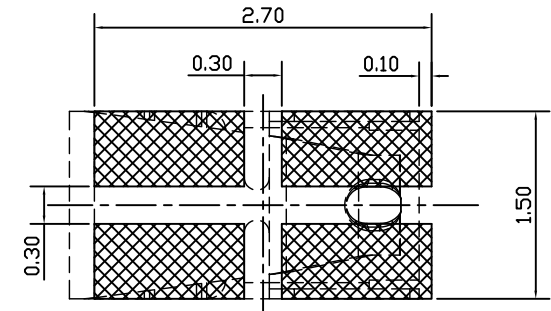
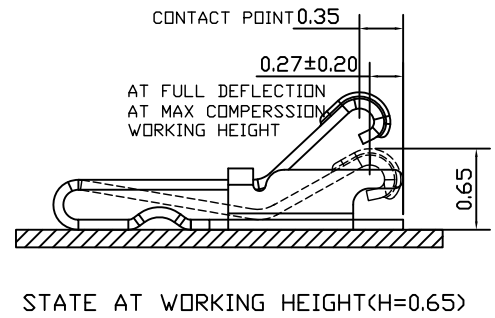
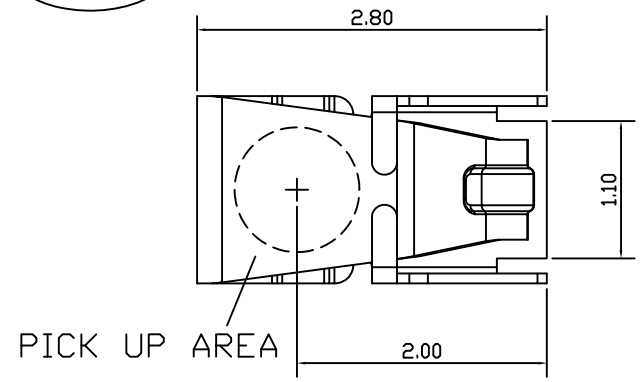
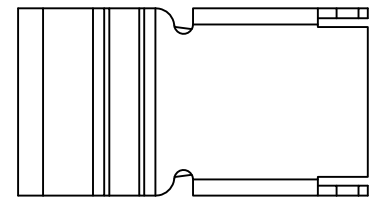
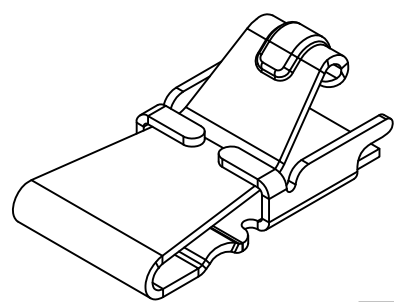
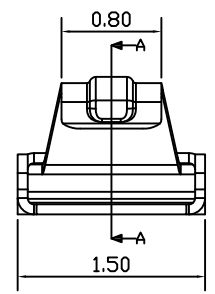
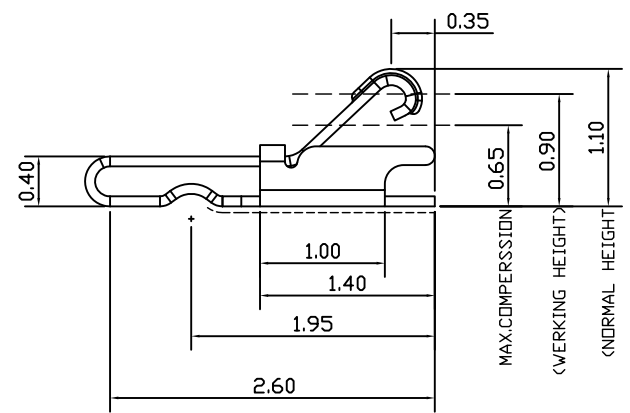


REV	DESCRIPTION	APPR	CHECK	DRAW	DATE
△	原始图档			Liu Miao	121101

RoHS
Compliant



P. C. B LAYOUT
TOLERANCE: ±0.05



- PRODUCT NO.
- SPECIFICATIONS:
 - CONTACT RESISTANCE: 30mΩ, MAX
 - VOLTAGE RATING: 1.5V/AC/DC/MAX
 - CURRENT RATING: 1.0A/MAX
 - OPERATING TEMPERATURE: -20°C~80°C
 - MATERIAL:
 - STAINLESS STEEL T=0.10MM
 - FINISH:
 - 1u" AU ON CONTACT AREA
 - GOLD FLASH PLATING ON SOLDER AREA
 - 80u" MIN. NICKEL UNDERPLATING OVERALL

QUALITY SYMBOLS	GENERAL TOLERANCES (UNLESS SPECIFIED)				SCALE: 1:1	NUMBER:	WFDconn 深圳市旺富达电子有限公司 Shenzhen WFD Electronics Co., Ltd.
		MM		INCH	MATERIAL:	HRC:	
▽0	.X	±0.25	.X	呼----	DRAWN BY	DATE	TITLE:
	.XX	±0.20	.XX	呼----	Liu Miao	121101	带扣弹片 1.1H
	.XXX	±0.15	.XXX	呼----	CHECKED BY	DATE	THIRD ANGLE PROJECTION
▽C0	ANGULAR ±1°				APPROVED BY	DATE	REVISE ON CAD ONLY
	DRAFT WHERE APPLICABLE MUST REMAIN WITHIN DIMENSIONS				PART NO.	DWG NO.	SHEET NO.
					WFD-3001M2160022-7		1/1