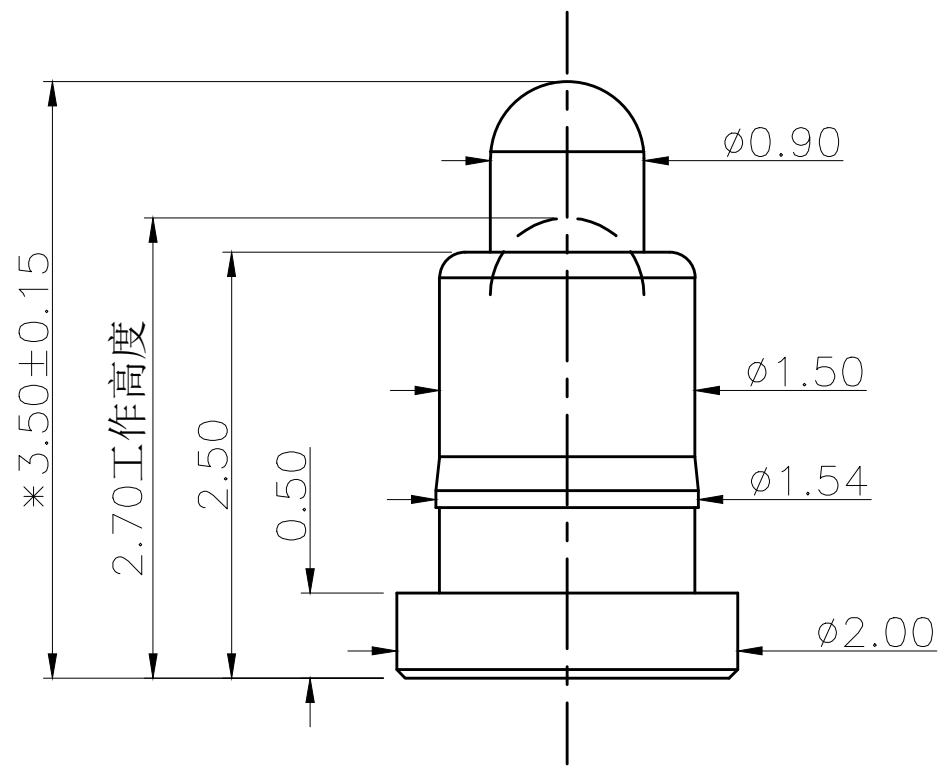


SER	DESCRIPTION	CHK	DATE



NOTE

- Material
 - Plunger: Brass C3604
 - Barrel: Brass C3604
 - Spring: SUS 304
- Plating
 - Plunger: 1 micro-inch minimum Au over 50~100 micro-inch nickel
 - Barrel: 1 micro-inch minimum Au over 50~100 micro-inch nickel
- Electrical
 - Rated current & voltage: DC 12V; 1A MAX .
 - Contact resistance: 50 mohm maximum at working height
- Mechanical
 - Spring force: 50g±15g at working height
 - Durability: 10,000 cycles(minimum)
- RoHS compliant product.
- Mark * is the key control dimension

WFDconn 深圳市旺富达电子有限公司
SHEN ZHEN WFD ELECTRONICS CO., LTD

UNLESS OTHERWISE SPECIFIED TOLERANCES ARE X.X ±0.15 X.XX ±0.10 X.XXX ANG. ±2°	APPROVED BY	DATE	TITLE		
	CHECKED BY	DATE	POGO PIN		
	DRAWN BY Liu Miao	DATE 2021/10/23	DOCUMENT NO DNOXX-00X	PAGE	1
UNIT mm	SIZE A4	PART NO PGC-0.5-3.5-1PIN	REV A	SHEET 1/1	SCALE 1:1