

A

B

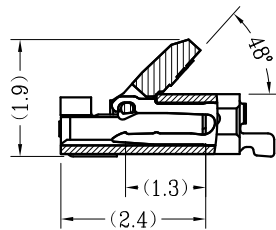
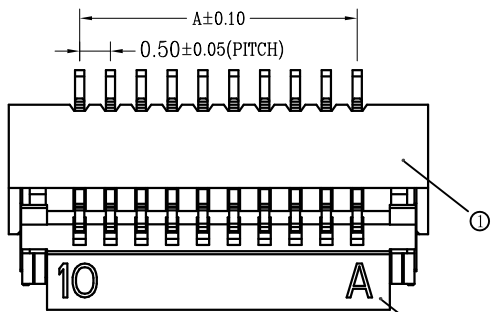
C

D

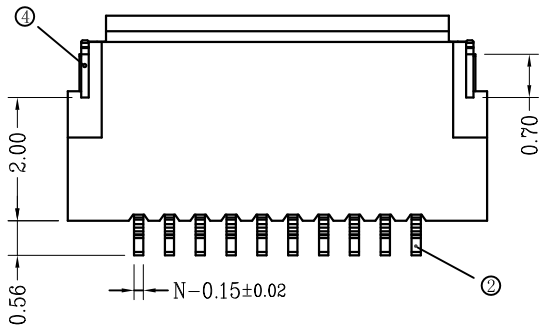
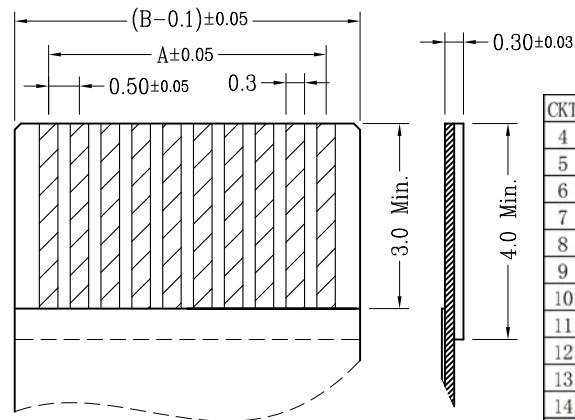
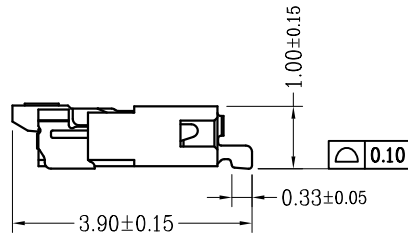
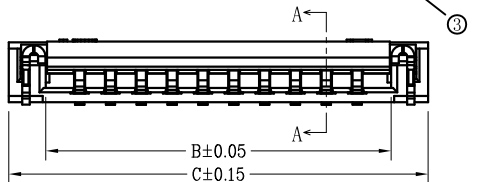
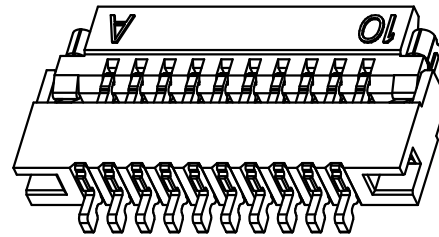
E

F

版次	变更摘要	日期	序号	品名	材质
			①	0.5掀盖卧式胶芯 (H1.0)	LCP UL94V-0 本色
			②	0.5掀盖卧式端子 (H1.0)	磷青铜/表面镀金
			③	0.5掀盖卧式后盖 (H1.0)	LCP UL94V-0 黑色
			④	0.3掀盖卧式焊片 (H1.0)	磷青铜/表面镀锡



SECTION A-A



KCT	DIMA	DIMB	DIMC	KCT	DIMA	DIMB	DIMC
4	1.50	2.60	3.80	28	13.50	14.60	15.80
5	2.00	3.10	4.30	29	14.00	15.10	16.30
6	2.50	3.60	4.80	30	14.50	15.60	16.80
7	3.00	4.10	5.30	31	15.00	16.10	17.30
8	3.50	4.60	5.80	32	15.50	16.60	17.80
9	4.00	5.10	6.30	33	16.00	17.10	18.30
10	4.50	5.60	6.80	34	16.50	17.60	18.80
11	5.00	6.10	7.30	35	17.00	18.10	19.30
12	5.50	6.60	7.80	36	17.50	18.60	19.80
13	6.00	7.10	8.30	37	18.00	19.10	20.30
14	6.50	7.60	8.80	38	18.50	19.60	20.80
15	7.00	8.10	9.30	39	19.00	20.10	21.30
16	7.50	8.60	9.80	40	19.50	20.60	21.80
17	8.00	9.10	10.30	41	20.00	21.10	22.30
18	8.50	9.60	10.80	42	20.50	21.60	22.80
19	9.00	10.10	11.30	43	21.00	22.10	23.30
20	9.50	10.60	11.80	44	21.50	22.60	23.80
21	10.00	11.10	12.30	45	22.00	23.10	24.30
22	10.50	11.60	12.80	46	22.50	23.60	24.80
23	11.00	12.10	13.30	47	23.00	24.10	25.30
24	11.50	12.60	13.80	48	23.50	24.60	25.80
25	12.00	13.10	14.30	49	24.00	25.10	26.30
26	12.50	13.60	14.80	50	24.50	25.60	26.80
27	13.00	14.10	15.30				

技术指标 (Technical Index):

- 塑件表面应光洁、无毛边、无明显收缩、缺陷、裂纹等现象。(The surface of the plastic parts should be smooth, no rough edges, no obvious shrinkage, defects, cracks and other phenomena.)
- 温度范围 (Temperature range): $-30^{\circ}\text{C} \sim +85^{\circ}\text{C}$.
- 额定电压 (Rated voltage): 50V, AC/DC (=等效).
- 接触电阻 (Contact resistance): $\leq 0.03\Omega$.
- 绝缘电阻 (Insulation resistance): $\geq 500\text{M}\Omega$.
- 产品料号 (Product material No.):

CFPCXW05102A—** *—**

NO OF CKT (产品PIN数)

Plating (电镀方式)

- 端子全金 (Terminal G/F OVERALL)
- 端子点镀金

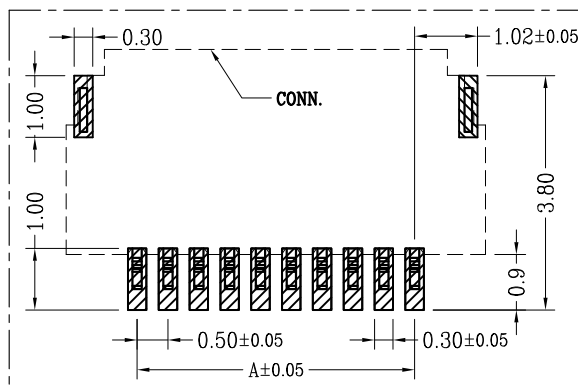
后盖无LOGO (Actuator without LOGO)

Packing (包装方式)

T: TUBE管装

R: TAPE & REEL卷装

适用扁平线 (Applicable Flat Cable)



适用线路板 (PCB LAYOUT)



一般公差 (TOLERANCE)
 X ±0.50 XX ±1.0
 X ±0.20 XXX ±0.5
 ANGLES ±1°

WFD 深圳市旺富达电子有限公司
 CONN SHEN ZHEN WFD ELECTRONICS CO., LTD

品名 (TITLE) 0.5 Pitch掀盖卧式 (H=1.0)

料号 (DWG.NO) CFPCXW05102A—** *—**

比例 (SCALE) 1:1

制图 (DR) Liu Miao

校对 (CHKD) SIMON

审核 (APPD) DAVID

张数 (SHEET) 1 OF 1 SIZE REV A4 A