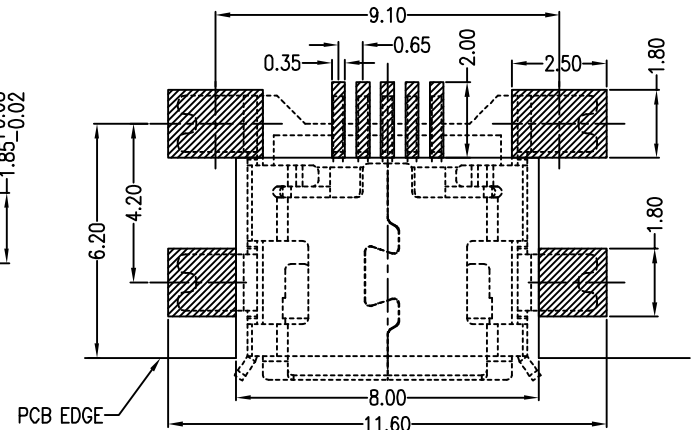
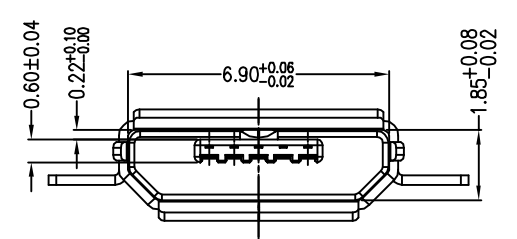
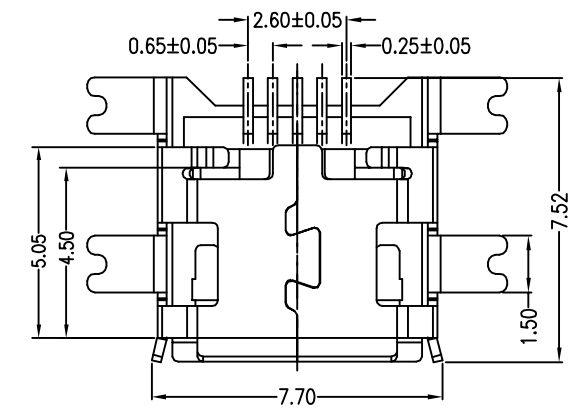
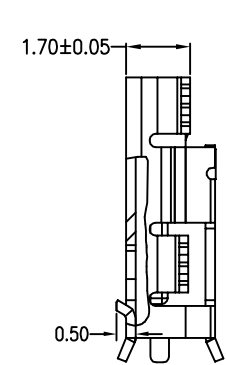
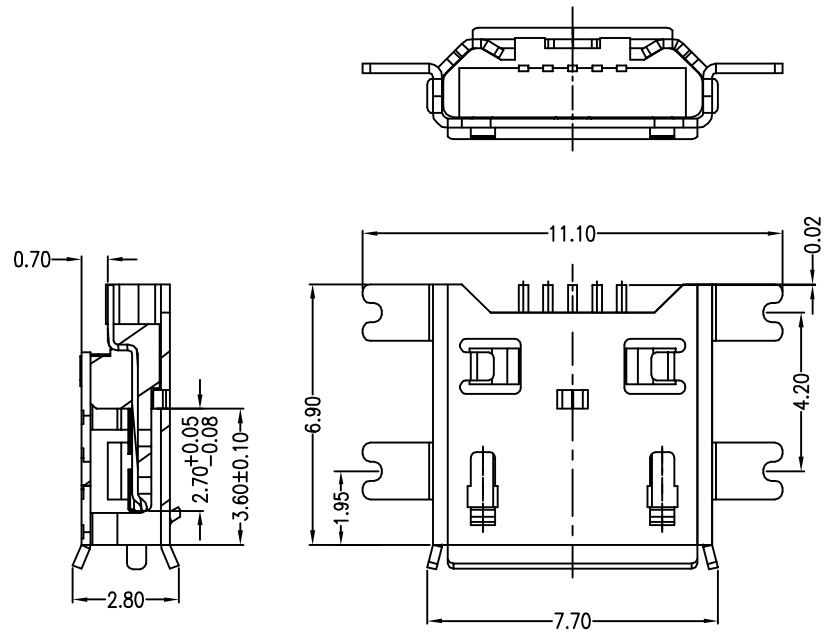


REV.	ECN NO	LOCATIONS	DESCRIPTION	DATE
B			修改翻边尺寸	

A
B
C
D
E
F

A
B
C
D
E
F



RECOMMENDED PCB LAYOUT
PCB图仅供参考

- Note:
- Material:
 - Housing: High temperature thermoplastic with g.f,UL94v-0
 - Contact: copper alloy,t=0.15mm
 - Shell: SUS304,t=0.25mm
 - Specification:
 - Current rating:1,5PIN 1.8A Max/2,3,4PIN 1A Max
 - Dielectric withstanding voltage: 100 V(ac) for 1 min.
 - Contact resistance: 30 mΩ Max.
 - Insulation resistance: 100 MΩ Min.
 - Total mating force: 3.57 Kgf Max.
 - Total unmating force: 1.0 Kgf Min.
 - Temperature range: -30°C~80°C

PART NO: USB-0441B-0M01		MATERIAL: SEE NOTE		WFD CONN 深圳市旺富达电子有限公司 SHEN ZHEN WFD ELECTRONICS CO., LTD	
MODEL NO: XX		FINISH: SEE NOTE			
UNIT: MM	SIZE: A4	COLOR: SEE NOTE		TITLE: Micro usb 5s B Type 破板0.7四脚全贴单卡点	
TOLERANCE UNSPECIFIED		DR: Liu miao		DWG NO:	
.x	0.15	CHK:		REV: B	
.xx	0.10	APP: David		SCALE: 5:1	
.xxx	0.05			DATE: 2017.10.18	
Ang.	1°				