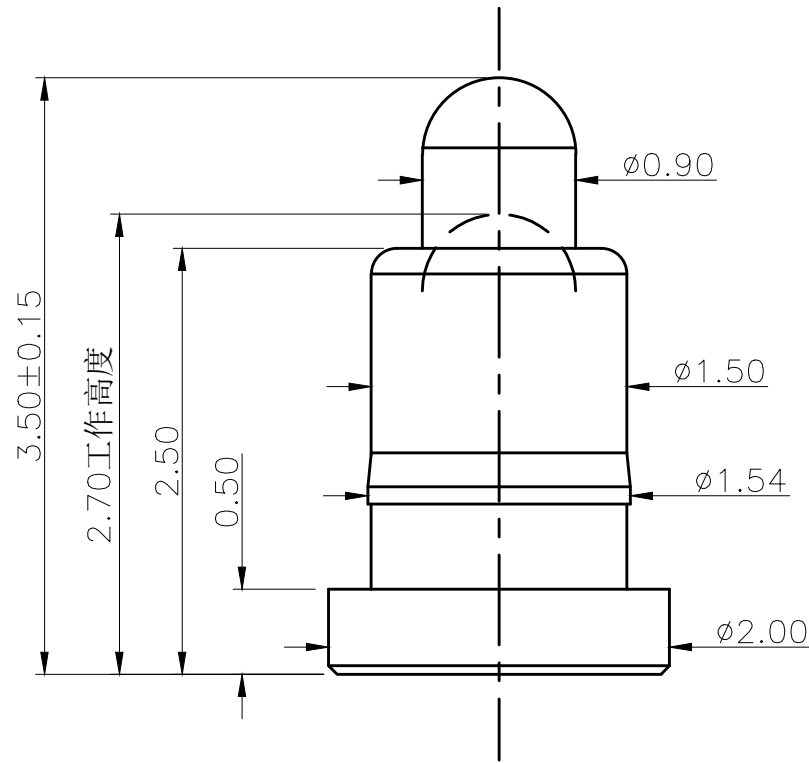


SER	DESCRIPTION	CHK	DATE



- NOTE
- Material
Plunger: Brass C3604
Barrel: Brass C3604
Spring: SUS 304
 - Plating
Plunger: 3 micro-inch minimum Au over 50~100 micro-inch nickel
Barrel: 3 micro-inch minimum Au over 50~100 micro-inch nickel
 - Electrical
Rated current & voltage: DC 12V; 1A MAX .
Contact resistance: 50 mohm maximum at working height
 - Mechanical
Spring force: $60g \pm 15g$ at working height
Durability: 10,000 cycles(minimum)
 - To ensure the best usage, please operate it based on the working height
Based on the engineering drawings, shall not exceed the maximum allowed compression
 - To avoid arcing issue, The adaptor start to power supply after connector mated fully.
 - RoHS standard products

WF DCONN 深圳市旺富达电子有限公司
SHEN ZHEN WFD ELECTRONICS CO., LTD

UNLESS OTHERWISE SPECIFIED TOLERANCES ARE X.X ±0.15 X.XX ±0.10 X.XXX ANG. ±2'	APPROVED BY	DATE	TITLE			
	CHECKED BY	DATE	POGO PIN			
	DRAWN BY LiuMiao	DATE 2022/04/08	DOCUMENT NO DNOXX-00X	PAGE 1		
UNIT mm	⑩	SIZE A4	PART NO PGC-0.5-3.5-1PIN-01	REV A	SHEET 1/1	SCALE 1:1