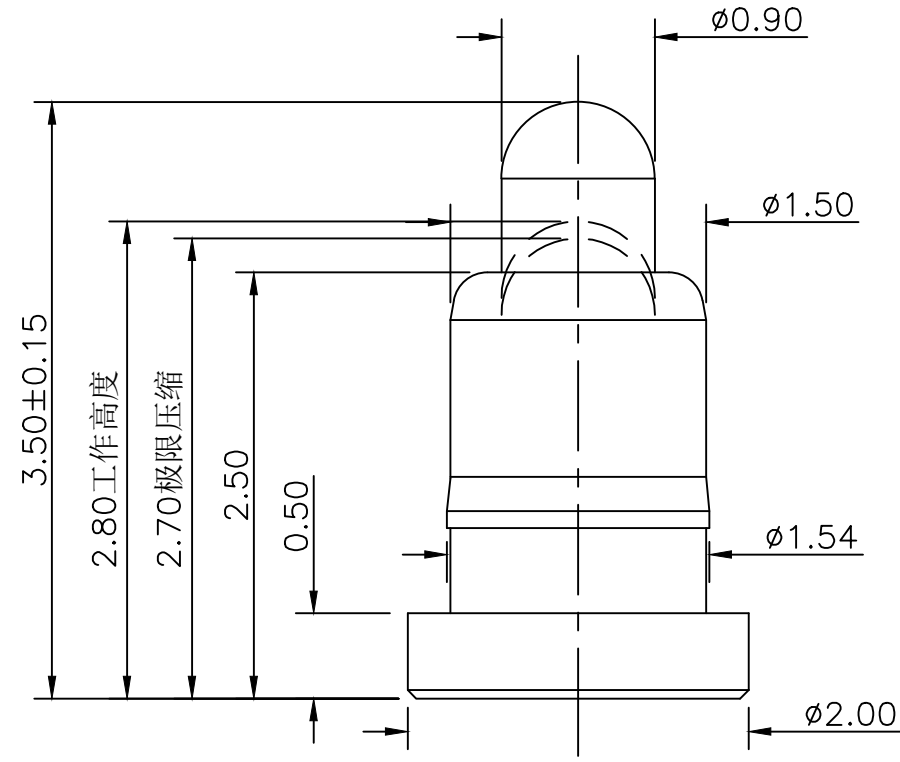


名称	零件料号	用量
针头	TP6114-0103	1 PCS
针管	GF6070-0103	1 PCS
弹簧	SA6266	1 PCS

SER	DESCRIPTION	CHK	DATE



NOTE

- Material  
Plunger: Brass C6801  
Barrel: Brass C6801  
Spring: SUS 304
- Plating  
Plunger: 3 micro-inch minimum Au over 50~100 micro-inch nickel  
Barrel: 3 micro-inch minimum Au over 50~100 micro-inch nickel
- Electrical  
Rated current & voltage: DC 12V; 1A MAX .  
Contact resistance: 50 mohm maximum at working height
- Mechanical  
Spring force: 80g±20g at working height  
Durability: 10,000 cycles(minimum)
- To ensure the best usage, please operate it based on the working height  
Based on the engineering drawings, shall not exceed the maximum allowed compression
- To avoid arcing issue, The adaptor start to power supply after connector mated fully.
- RoHS standard products

**WFD**CONN 深圳市旺富达电子有限公司  
SHEN ZHEN WFD ELECTRONICS CO., LTD

UNLESS OTHERWISE SPECIFIED TOLERANCES ARE X.X ±0.15 X.XX ±0.10 X.XXX ANG. ±2°	APPROVED BY	DATE	TITLE		
	CHECKED BY	DATE	POGO PIN		
	DRAWN BY Liu Miao	DATE 2022/06/05	DOCUMENT NO DNOXX-00X	PAGE 1	
UNIT mm	SIZE A4	PART NO PGC-0.5-3.5-1PIN-03	REV A	SHEET 1/1	SCALE 1:1