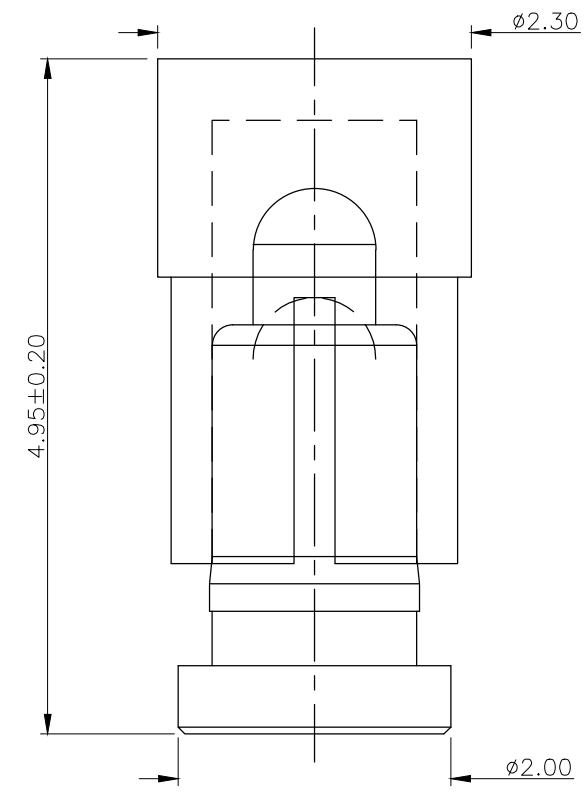
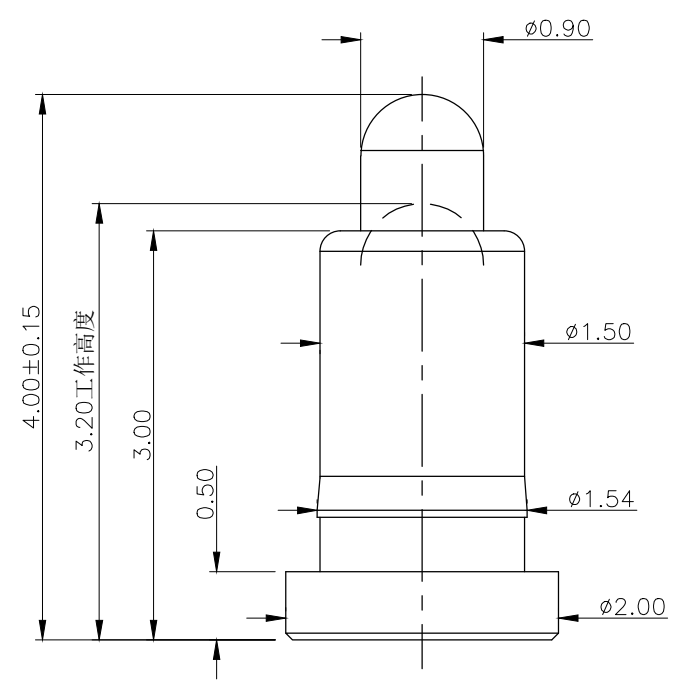


名称	零件料号	用量
针头	TH0010-0103	1 PCS
针管	GF6071-0103	1 PCS
弹簧	SA6261	1 PCS
载带	CR0020	1500/PCS卷
帽子	HC0016 (CAP2337)	1 PCS

SER	DESCRIPTION	CHK	DATE



**NOTE**

- Material**  
Plunger: Brass C6801  
Barrel: Brass C6801  
Spring: SUS 304
- Plating**  
Plunger: 3 micro-inch minimum Au over 50~100 micro-inch nickel  
Barrel: 3 micro-inch minimum Au over 50~100 micro-inch nickel
- Electrical**  
Rated current & voltage: DC 12V; 1A MAX .  
Contact resistance: 50 mohm maximum at working height
- Mechanical**  
Spring force: 100g±20g at working height  
Durability: 10,000 cycles(minimum)
- To ensure the best usage, please operate it based on the working height  
Based on the engineering drawings, shall not exceed the maximum allowed compression
- To avoid arcing issue, The adaptor start to power supply after connector mated fully.
- RoHS standard products

		深圳市旺富达电子有限公司 SHEN ZHEN WFD ELECTRONICS CO., LTD							
		UNLESS OTHERWISE SPECIFIED TOLERANCES ARE		APPROVED BY		DATE		TITLE	
X.X ±0.15		CHECKED BY		DATE		POGO PIN			
X.XX ±0.10		DRAWN BY		DATE		DOCUMENT NO		PAGE	
X.XXX		Liu Miao		2021/10/23		DNOXX-00X		1	
ANG. ±2°		SIZE A4		PART NO		PGC-0.5-4.0-1PIN		REV A	
UNIT mm		⑩		SCALE 1:1		SHEET 1/1			