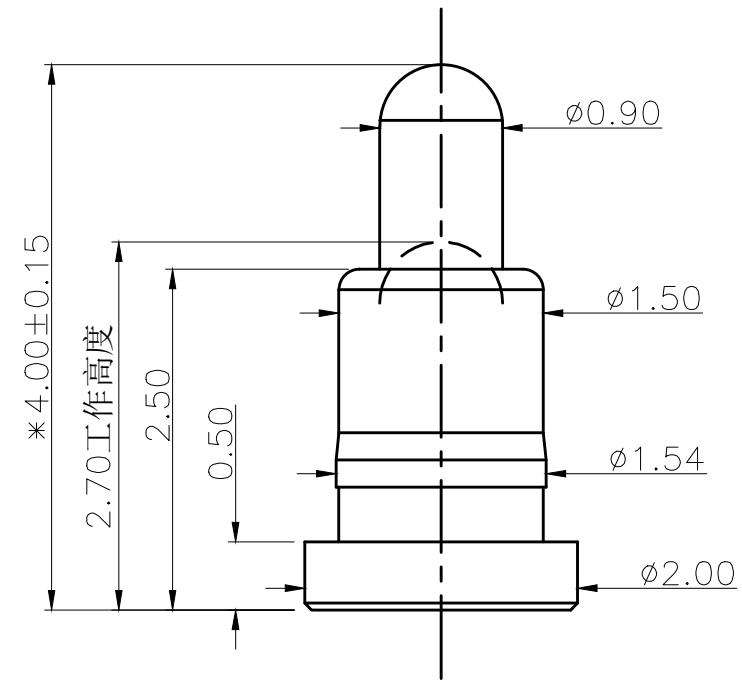


SER	DESCRIPTION	CHK	DATE



NOTE

1. Material  
 Plunger: Brass C3604  
 Barrel: Brass C3604  
 Spring: SUS 304
2. Plating  
 Plunger: 3 micro-inch minimum Au over 50~100 micro-inch nickel  
 Barrel: 3 micro-inch minimum Au over 50~100 micro-inch nickel
3. Electrical  
 Rated current & voltage: DC 12V; 1A MAX .  
 Contact resistance: 50 mohm maximum at working height
4. Mechanical  
 Spring force: 100g±20g at working height  
 Durability: 10,000 cycles(minimum)
5. RoHS compliant product.
6. Mark \* is the key control dimension
7. Pass the salt spray test for 48 hours

WFDconn 深圳市旺富达电子有限公司  
 SHEN ZHEN WFD ELECTRONICS CO., LTD

UNLESS OTHERWISE SPECIFIED TOLERANCES ARE X.X ±0.15 X.XX ±0.10 X.XXX ±0.10 ANG. ±2'	APPROVED BY	DATE	TITLE		
	CHECKED BY	DATE	POGO PIN		
	DRAWN BY Liu Miao	DATE 2021/10/23	DOCUMENT NO DNOXX-00X	PAGE	1
UNIT mm	SIZE A4	PART NO PGC-0.5-4.0-1PIN-01	REV A	SHEET 1/1	SCALE 1:1

名称	零件料号	用量
针头	TP6103-0103	1 PCS
针管	GF6070-0103	1 PCS
弹簧	X	1 PCS