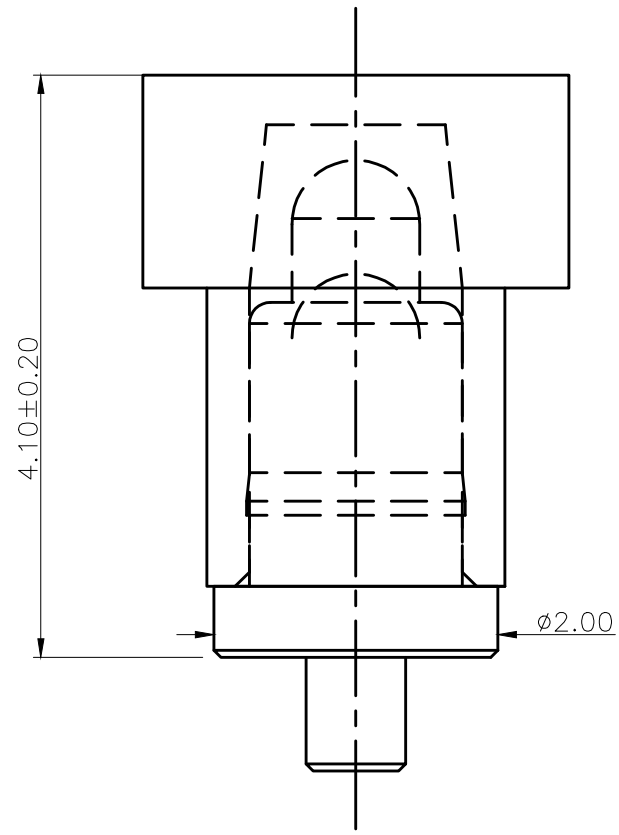
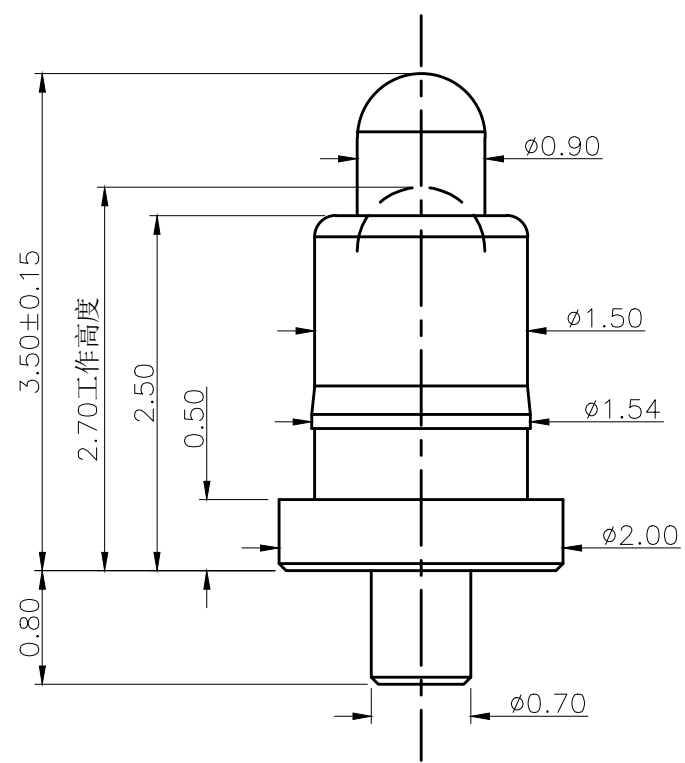


SER	DESCRIPTION	CHK	DATE



- NOTE
- 1.Material  
Plunger:Brass C3604  
Barrel: Brass C3604  
Spring: SUS 304
  - 2.Plating  
Plunger: 3 micro-inch minimum Au over 50~100 micro-inch nickel  
Barrel: 3 micro-inch minimum Au over 50~100 micro-inch nickel
  - 3.Electrical  
Rated current & voltage: DC 12V; 1A MAX .  
Contact resistance: 50 mohm maximum at working height
  - 4.Mechanical  
Spring force: 80g±20g at working height  
Durability: 10,000 cycles(minimum)
  - 5.To ensure the best usage,please operate it based on the working height  
Based on the engineering drawings,shall not exceed the maximum allowed compression
  - 6.To avoid arcing issue, The adaptor start to power supply after connector mated fully.
  - 7.RoHS standard products

WFDconn 深圳市旺富达电子有限公司  
SHEN ZHEN WFD ELECTRONICS CO., LTD

UNLESS OTHERWISE SPECIFIED TOLERANCES ARE X.X ±0.15 X.XX ±0.10 X.XXX ANG. ±2'	APPROVED BY	DATE	TITLE			
	CHECKED BY	DATE	POGO PIN			
	DRAWN BY	DATE 2021/10/23	DOCUMENT NO DNOXX-00X	PAGE 1		
UNIT mm	⑩	SIZE A4	PART NO PGC-0.5-4.3-1PIN	REV A	SHEET 1/1	SCALE 1:1