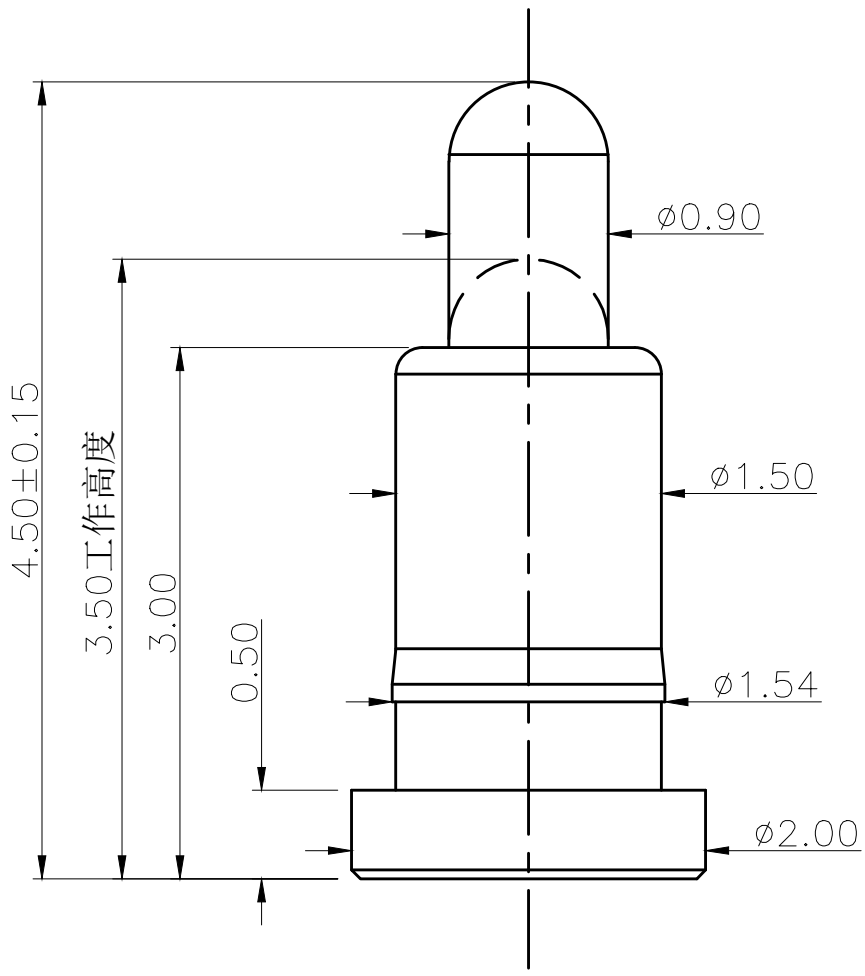


SER	DESCRIPTION	CHK	DATE



NOTE

1. Material
Plunger: Brass C3604
Barrel: Brass C3604
Spring: SUS 304
2. Plating
Plunger: 3 micro-inch minimum Au over 50~100 micro-inch nickel
Barrel: 3 micro-inch minimum Au over 50~100 micro-inch nickel
3. Electrical
Rated current & voltage: DC 12V; 1A MAX .
Contact resistance: 50 mohm maximum at working height
4. Mechanical
Spring force: 60g±15g at working height
Durability: 10,000 cycles(minimum)
5. To ensure the best usage, please operate it based on the working height
Based on the engineering drawings, shall not exceed the maximum allowed compression
6. To avoid arcing issue, The adaptor start to power supply
after connector mated fully.
7. RoHS standard products

WFDconn 深圳市旺富达电子有限公司
SHEN ZHEN WFD ELECTRONICS CO., LTD

UNLESS OTHERWISE SPECIFIED TOLERANCES ARE X.X ±0.15 X.XX ±0.10 X.XXX ANG. ±2°	APPROVED BY	DATE	TITLE POGO PIN		
	CHECKED BY	DATE			
	DRAWN BY Liu Miao	DATE 2021/10/23	DOCUMENT NO DNOXX-00X	PAGE 1	
UNIT mm	SIZE A4	PART NO PGC-0.5-4.5-1PIN	REV A	SHEET 1/1	SCALE 1:1