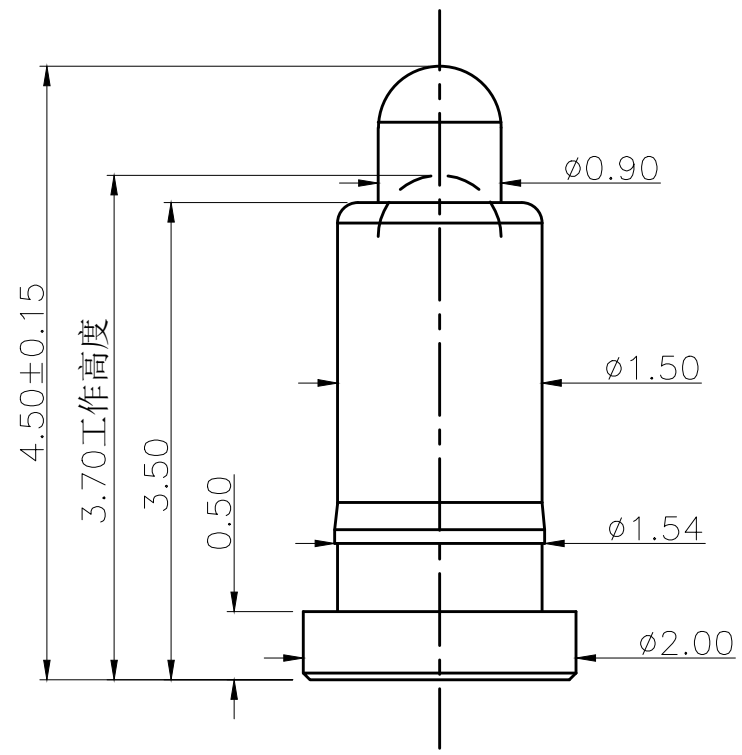


SER	DESCRIPTION	CHK	DATE



NOTE

- Material
Plunger: Brass C3604
Barrel: Brass C3604
Spring: SUS 304
- Plating
Plunger: 3 micro-inch minimum Au over 50~100 micro-inch nickel
Barrel: 3 micro-inch minimum Au over 50~100 micro-inch nickel
- Electrical
Rated current & voltage: DC 12V; 1A MAX .
Contact resistance: 50 mohm maximum at working height
- Mechanical
Spring force: 60g±15g at working height
Durability: 10,000 cycles(minimum)
- To ensure the best usage, please operate it based on the working height
Based on the engineering drawings, shall not exceed the maximum allowed compression
- To avoid arcing issue, The adaptor start to power supply
after connector mated fully.
- RoHS standard products

WFD _{CONN}		深圳市旺富达电子有限公司 SHEN ZHEN WFD ELECTRONICS CO., LTD			
UNLESS OTHERWISE SPECIFIED TOLERANCES ARE X.X ±0.15 X.XX ±0.10 X.XXX ANG. ±2'	APPROVED BY	DATE	TITLE		
	CHECKED BY	DATE	POGO PIN		
	DRAWN BY Liu Miao	DATE 2022/04/19	DOCUMENT NO DNOXX-00X	PAGE 1	
UNIT mm	⑩	SIZE A4	PART NO PGC-0.5-4.5-1PIN-01	REV A	SHEET 1/1
					SCALE 1:1