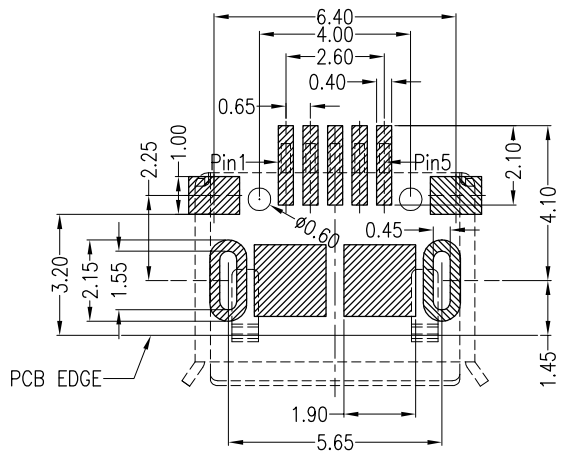
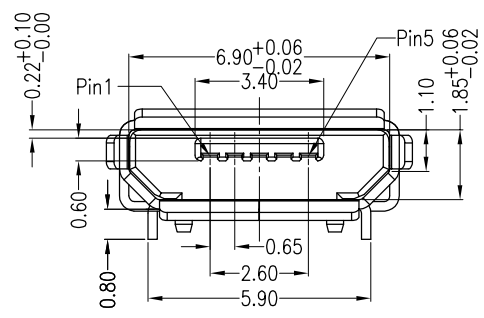
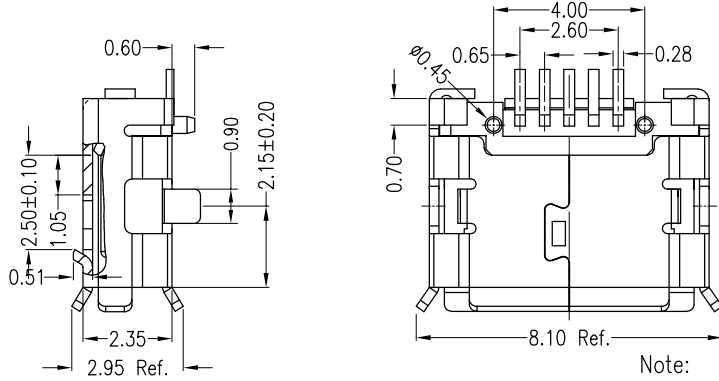
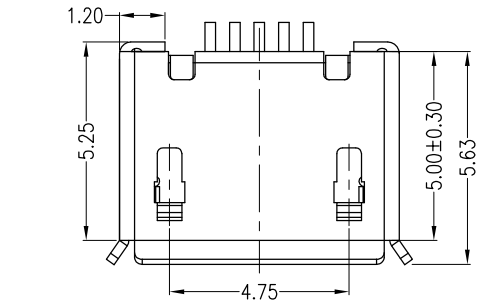
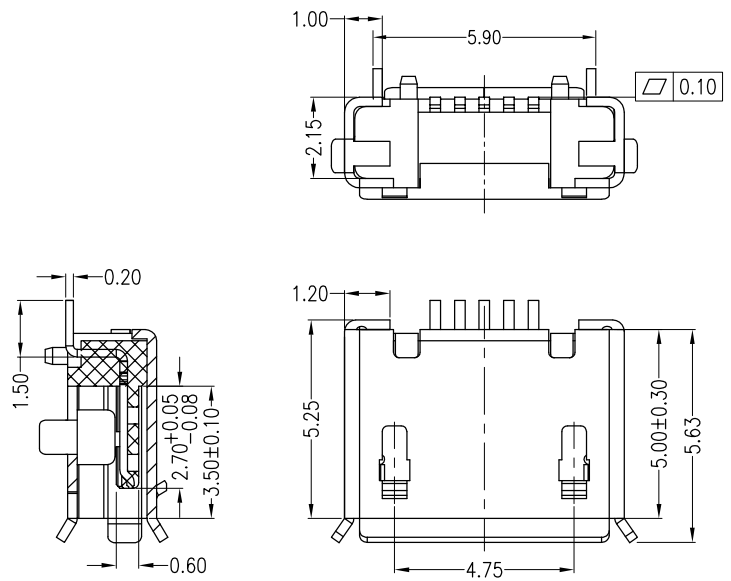


REV.	ECN NO	LOCATIONS	DESCRIPTION	DATE



- Note:
- Material:
    - Housing: High temperature thermoplastic with g.f,UL94v-0
    - Contact: copper alloy,t=0.20mm
    - Shell: copper alloy,t=0.25mm
  - Specification:
    - Current rating:1,5PIN 1.8A Max/2,3,4PIN 1A Max.
    - Dielectric withstanding voltage: 100 V(ac) for 1 min.
    - Contact resistance: 30 mΩ Max.
    - Insulation resistance: 100 MΩ Min.
    - Total mating force: 3.57 Kgf Max.
    - Total unmating force: 1.0 Kgf Min.
    - Temperature range: -30°C~80°C

RECOMMENDED PCB LAYOUT PCB图仅供参考

外壳材质  
1:C2680R-H

外壳电镀  
1:N50u''  
2:雾T50u''  
3:N+Au1u''(脚)  
4:Au1u''

端子电镀 01:Au1u'';02:Au1.5u'';03:Au3u''  
05:Au5u'';10:Au10u'';15:Au15u'';30:Au30u''

主体颜色 B:黑色

主体材质 1:LCP

端子材质 4:CS191R-EH

PART NO: USB-F06505-SC080		MATERIAL: SEE NOTE
MODEL NO: XX		FINSH: SEE NOTE
UNIT: MM	SIZE: A4	COLOR: SEE NOTE
TOLERANCE UNSPECIFIED		DR: LIU MIAO
.x	0.15	CHK: SIMON
.xx	0.10	APP: DAVID
.xxx	0.05	
Ang.	1°	

深圳市旺富达电子有限公司  
WFDconn SHEN ZHEN WFD ELECTRONICS CO., LTD

TITLE: Micro usb 5s B Type有焊脚(插板5.9)  
有柱锡脚加长0.75

DWG NO: A011 REV: A

SCALE: 5:1 DATE: 2012.05.15