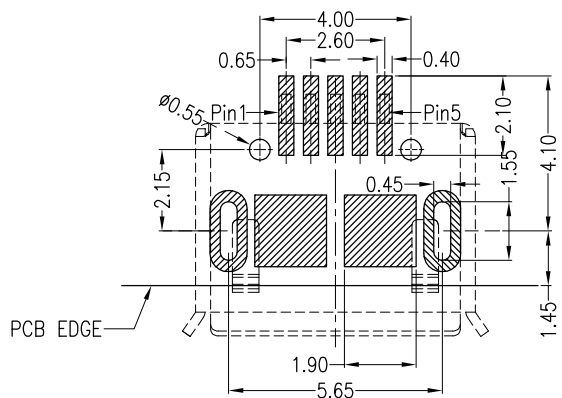
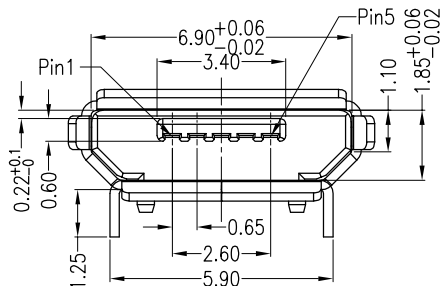
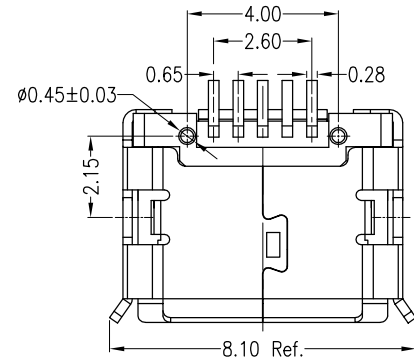
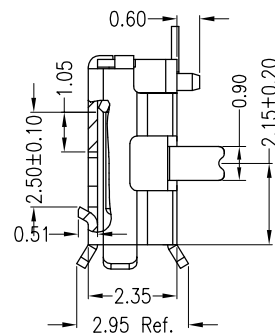
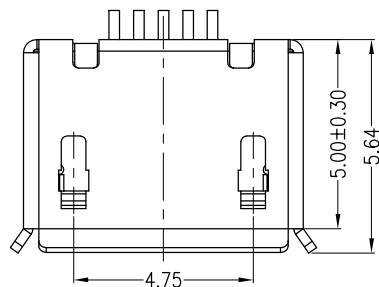
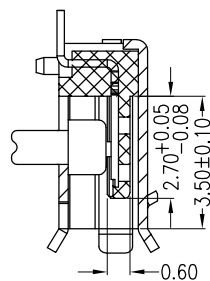
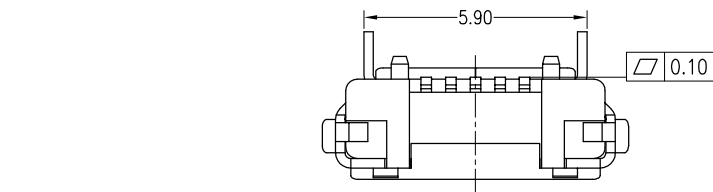


REV.	ECN NO	LOCATIONS	DESCRIPTION	DATE



RECOMMENDED PCB LAYOUT
PCB图仅供参考

Note:

1.Material:

- 1.1 Housing: High temperature thermoplastic with g.f,UL94v-0
- 1.2 Contact: copper alloy,t=0.20mm
- 1.3 Shell: copper alloy,t=0.25mm

2.Specification:

- 2.1 Current rating:1,5PIN 1.8A Max/2,3,4PIN 1A Max.
- 2.2 Dielectric withstanding voltage: 100 V(ac) for 1 min.
- 2.3 Contact resistance: 30 mΩ Max.
- 2.4 Insulation resistance: 100 MΩ Min.
- 2.5 Total mating force: 3.57 Kgf Max.
- 2.6 Total unmating force: 1.0 Kgf Min.
- 2.7 Temperature range: -30°C~80°C

外壳材质
1:C268R-H
外壳电镀
1:NEUJ'
2:雾150J'
3:N+Au1J' (脚)
4:Au1J'

端子电镀 01:Au1J' ;02:Au1.5J' ;03:Au1J'
05:Au5J' ;10:Au10J' ;15:Au15J' ;30:Au30J'
主体颜色 B:黑色
主体材质 1:LOP
端子材质 4:CS191R-BH

PART NO: USB-F06505-SC084		MATERIAL: SEE NOTE
MODEL NO: XX		FINISH: SEE NOTE
UNIT: MM	SIZE: A4	COLOR: SEE NOTE
TOLERANCE UNSPECIFIED		DR: LIU MIAO
.x	0.15	CHK: SIMON
.xx	0.10	APP: DAVID
.xxx	0.05	
Ang.	1°	

WFDconn 深圳市旺富达电子有限公司
SHEN ZHEN WFD ELECTRONICS CO., LTD

TITLE:
Micro usb 5s B Type 有柱 插板5.9)脚长1.25镀锡脚加长0.75

DWG NO: A040 REV: A

SCALE: 5:1 DATE: 2012.05.21