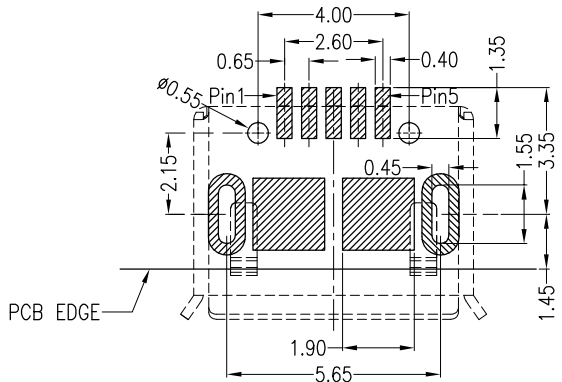
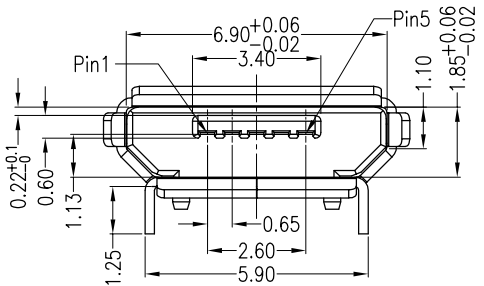
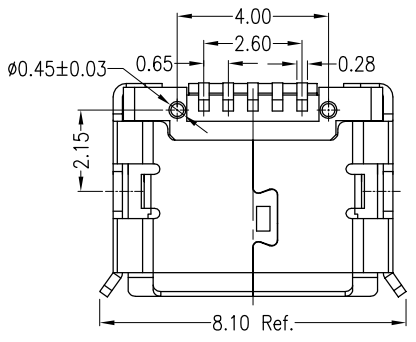
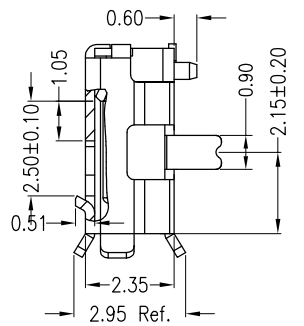
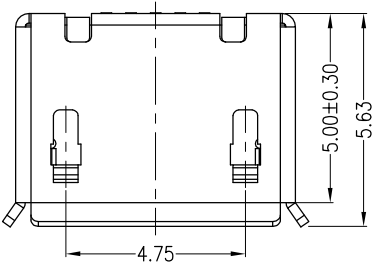
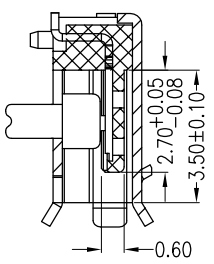
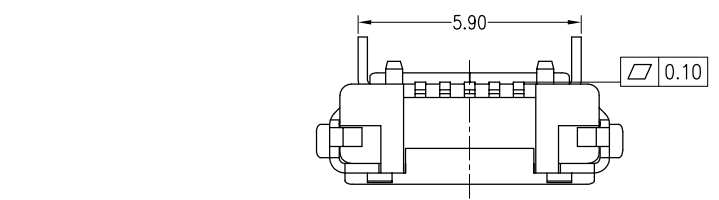


REV.	ECN NO	LOCATIONS	DESCRIPTION	DATE



RECOMMENDED PCB LAYOUT  
PCB图仅供参考

Note:

1.Material:

- 1.1 Housing: High temperature thermoplastic with g.f,UL94v-0
- 1.2 Contact: copper alloy,t=0.20mm
- 1.3 Shell: copper alloy,t=0.25mm

2.Specification:

- 2.1 Current rating:1,5PIN 1.8A Max/2,3,4PIN 1A Max.
- 2.2 Dielectric withstanding voltage: 100 V(ac) for 1 min.
- 2.3 Contact resistance: 30 mΩ Max.
- 2.4 Insulation resistance: 100 MΩ Min.
- 2.5 Total mating force: 3.57 Kg Max.
- 2.6 Total unmating force: 1.0 Kg Min.
- 2.7 Temperature range: -30°C~80°C

外壳材质  
1:C288R-H  
  
外壳电镀  
1:NEU'  
2:雾TEU'  
3:N+Au1u' (脚)  
4:Au1u'

端子电镀 01: Au1u' ;02: Au1.5u' ;03: AuAu'  
05: Au5u' ;10: Au10u' ;15: Au15u' ;30: Au30u'  
  
主体颜色 B: 黑色  
  
主体材质 1: LOP  
  
端子材质 4: CS191R-BH

PART NO: USB-F06505-SC086		MATERIAL: SEE NOTE
MODEL NO: XX		FINISH: SEE NOTE
UNIT: MM	SIZE: A4	COLOR: SEE NOTE
TOLERANCE UNSPECIFIED		DR: LIU MIAO
.x	0.15	CHK: SIMON
.xx	0.10	APP: DAVID
.xxx	0.05	
Ang.	1°	

**WFD**CONN 深圳市旺富达电子有限公司  
SHEN ZHEN WFD ELECTRONICS CO., LTD

TITLE: Micro usb 5s B Type 插板5.9脚长1.25版有柱		
DWG NO: A039	REV: A	
SCALE: 5:1	DATE: 2012.05.21	