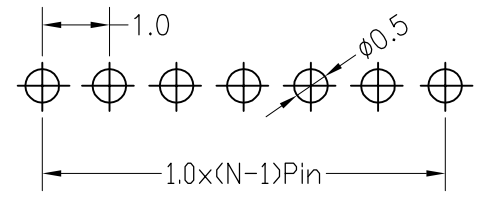
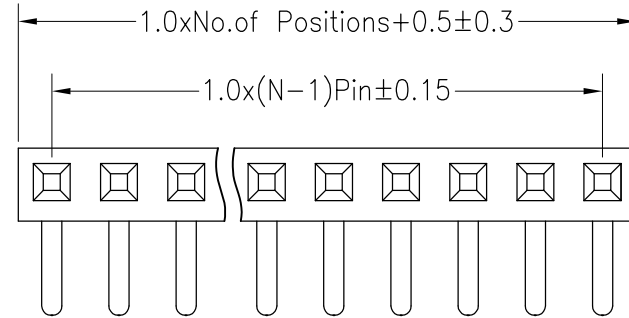


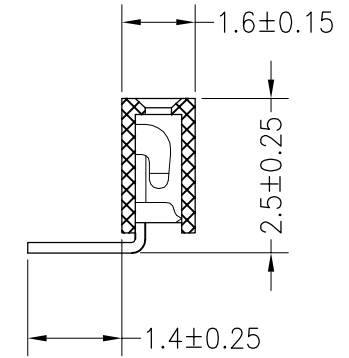
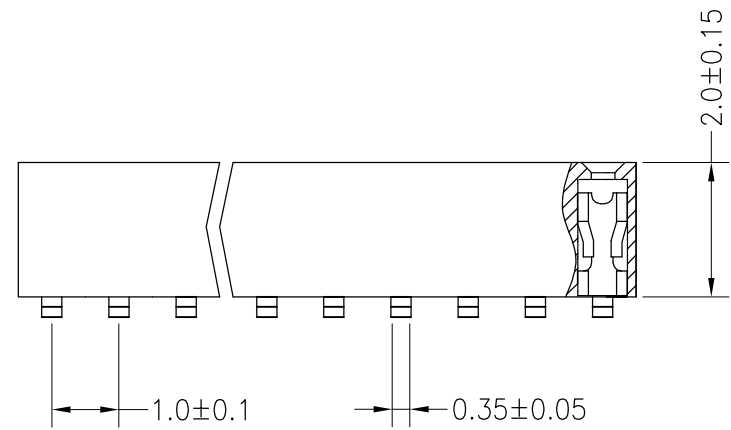


Recommended P.C.B Layout(Top Side)  
(PCB BOARD TOLERANCE±0.05)

**SPECIFICATIONS**  
 Rated Current:0.75AMP  
 Contact Resistance:30mΩ Max  
 Withstand Voltage:500V AC/DC  
 Insulation Resistance:1000MΩ Min  
 Operation Temperature:-40°C to +105°C



Contact Material:Phosphor Bronze  
 Contact Plating:Au or Sn Over Ni  
 Insulator Material:Polyester(UL94V-0)  
 Standard: PA6T  
 Max.Processing Temp: 230°C for 30-60 seconds  
 (260°C for 10 seconds)



**Ordering Information**

2620- 01 XX X N XX R U X 01

No.of Pins Per Row 1\*50

Insulator Material Option  
 A=BK-PBT  
 B=BK-PA66  
 C=BK-PA6T  
 D=BK-PA46  
 E=BK-PA9T  
 F=BK-LCP

Contact Plating  
 G0:Gold Flash  
 G1:3U" Gold  
 G2:5U" Gold  
 G3:10U" Gold  
 G4:15U" Gold  
 G5:30U" Gold  
 S0:Gold Flash/Tin  
 SN:Tin

Packing  
 0=PE Bag  
 A=Tray  
 T=Tube  
 P=Tube+Cap  
 R=Reel+Cap  
 M=Reel+Mylar

				OPERATION		DRAW	Liu Miaod	15.01.21	SCALE	FIT	<b>WFD</b> 深圳市旺富达电子有限公司 SHEN ZHEN WFD ELECTRONICS CO., LTD	
				X.X	±0.30				UNIT	mm		
				X.XX	±0.20	CHECK		SIZE	A4	PART NO.	262001XXXNXXRUX01	
				X.XXX	±0.10		SHEET	1/1	TITLE:	1.0PF H2.0mm 1xNpin 90°		
REV	DATE	MODIFICATION DESCRIPTION	CHANGE	Angle	±3°	APPROVE		PROJ.	◆			
DIM	TOL											