

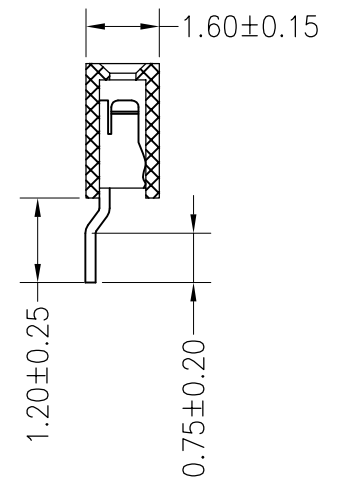
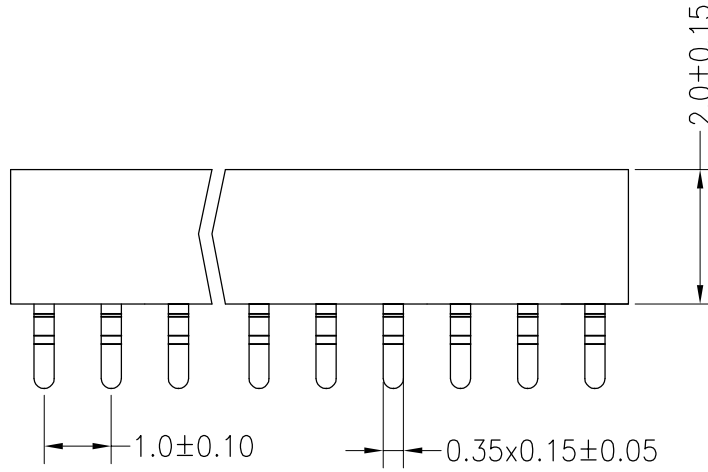
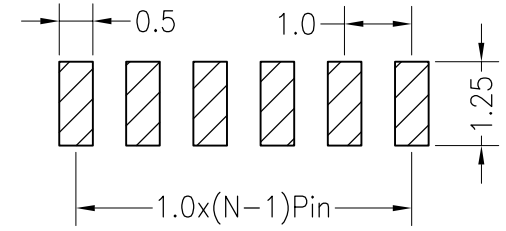
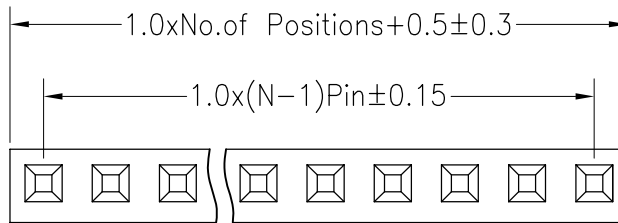
# HSF RoHS

## SPECIFICATIONS

Rated Current:0.75AMP  
 Contact Resistance:30mΩ Max  
 Withstand Voltage:500V AC/DC  
 Insulation Resistance:1000MΩ Min  
 Operation Temperature:-40°C to +105°C

Contact Material:Phosphor Bronze  
 Contact Plating:Au or Sn Over Ni  
 Insulator Material:Polyester(UL94V-0)  
 Standard: PA6T  
 Max.Processing Temp: 230°C for 30-60 seconds  
 (260°C for 10 seconds)

Recommended P.C.B Layout(Top Side)  
 (PCB BOARD TOLERANCE±0.05)



## Ordering Information

2620- 01 XX X N XX Z U X 01

- No.of Pins Per Row 1\*2~1\*50
- Insulator Material Option: A=BK-PBT, B=BK-PA66, C=BK-PA6T, D=BK-PA46, E=BK-PA9T, F=BK-LCP
- Contact Plating: G0:Gold Flash, G1:3U" Gold, G2:5U" Gold, G3:10U" Gold, G4:15U" Gold, G5:30U" Gold, S0:Gold Flash/Tin, SN:Tin
- Packing: A=Tray, T=Tube, P=Tube+Cap, R=Reel+Cap, M=Reel+Mylar

OPERATION		DRAW	Liu Miaod	15.01.21	SCALE	FIT
X.X	±0.30					
X.XX	±0.20	CHECK			UNIT	mm
X.XXX	±0.10					
Angle	±3°	APPROVE			SIZE	A4
DIM	TOL					

**WFD** CONN 深圳市旺富达电子有限公司  
 SHEN ZHEN WFD ELECTRONICS CO., LTD

A0	2015.01.21	NEW DRAWING	
REV	DATE	MODIFICATION DESCRIPTION	CHANGE

PART NO.	262001XXXNXXZUX01
TITLE:	1.0PF H2.0mm 1xNpin 90° SMT