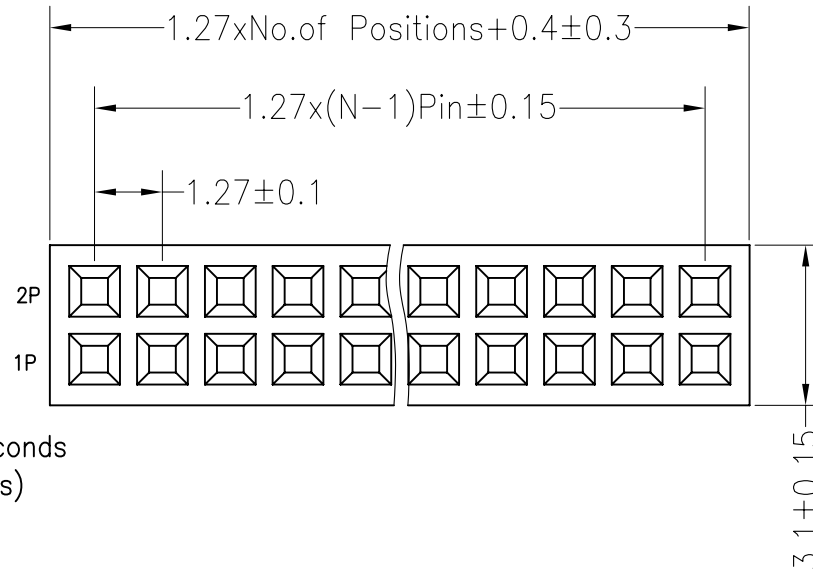


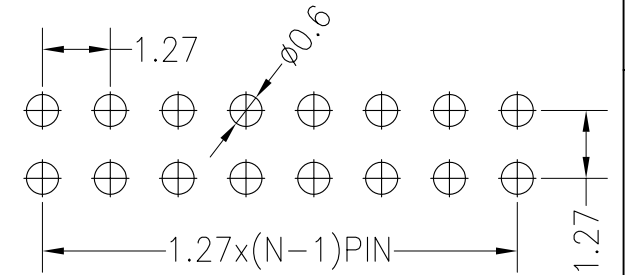
**SPECIFICATIONS**

Rated Current:1.0AMP  
 Contact Resistance:20mΩ Max  
 Withstand Voltage:500V AC/DC  
 Insulation Resistance:1000MΩ Min  
 Operation Temperature:-40°c to +105°c

Contact Material:Phosphor Bronze  
 Contact Plating:Au or Sn Over Ni  
 Insulator Material:Polyester(UL94V-0)  
 Standard: PA6T  
 Max.Processing Temp: 230°C for 30-60 seconds  
 (260°C for 10 seconds)



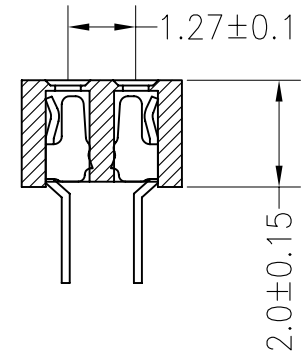
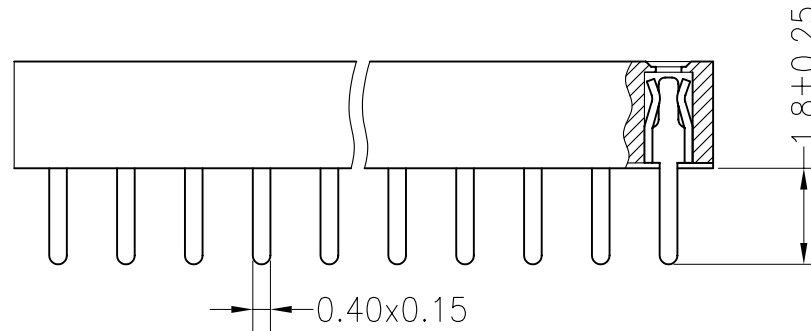
Recommended P.C.B Layout(Top Side)  
 (PCB BOARD TOLERANCE±0.05)



**Ordering Information**

2420 -02 XX X N XX S U X 01

- No.of Pins Per Row 2\*50
- Insulator Material Option: A=BK-PBT, B=BK-PA66, C=BK-PA6T, D=BK-PA46, F=BK-LCP
- Contact Plating: G0:Gold Flash, G2:5U" Gold, G3:10U" Gold, G4:15U" Gold, G5:30U" Gold, S0:Gold Flash/Tin, SN:Tin
- Packing: T=Tube, P=Tube+Cap, R=Reel+Cap, M=Reel+Mylar



				OPERATION		DRAW	Liu Miao	15.01.28	SCALE	FIT	<b>WFD</b> CONN 深圳市旺富达电子有限公司 SHEN ZHEN WFD ELECTRONICS CO., LTD	
				X.X	±0.30				UNIT	mm		
				CHECK				SIZE	A4	PART NO.	242002XXXNXXSUX01	
				APPROVE				SHEET	1/1	TITLE:	1.27PF H2.00mm 2xNpin 180°	
REV	DATE	MODIFICATION DESCRIPTION	CHANGE	DIM	TOL			PROJ.				